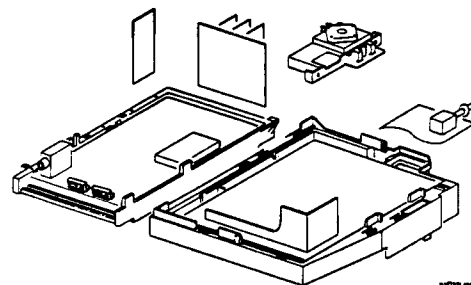


Service
Service
Service



Service Manual

Content

1. Technical specification	2	Line deflection	diagram A2	38	36,37
2. Specification connections and chassis overview	3	Frame deflection	diagram A3	39	36,37
3. Safety instructions, maintenance, warning and Notes	5	Audio amplifier	diagram A4	40	36,37
4. Mechanical instructions	7	Mains	diagram E	41	41
5. Service modes, DST, error messages, protections, faultfinding and repair tips including:	9	CRT CAVE Model	diagram F	42	43
Errorcode table	14	Tuner I/O, Video processing	diagram K1	46	44,45
Protection structure (overview and detailed)	17	Output	diagram K2	47	44,45
Fault finding tree	22	Sound Processing	diagram K3	48	44,45
6. Block diagrams	29	Audio Dolby	diagram K4	49	44,45
Block diagram	29	Feature Box 6 (ECO)	diagram K5	50	44,45
(Supply, Deflection, CRT)		Video Control & Geometry	diagram K6	51	44,45
Block diagram	30	Teletext & Control	diagram K7	52	44,45
(Video, Audio, Control)		Side I/O panel	diagram O	53	53
Survey of testpoints	31	Top Control panel	diagram P	54	54
Oscillograms		8. Alignments		5	
Wiring diagram	32	9. Circuit Descriptions: not available (see Training Manual)		60	
Overview I ² C -ICs	33	10. Directions for use		61	
Supply lines overview	34	11. List of abbreviations		66	
7. Electrical Diagrams and primary-circuit		12. Spare parts list		68	
Diagram PWB					
Power supply diagram	35				

Provisional

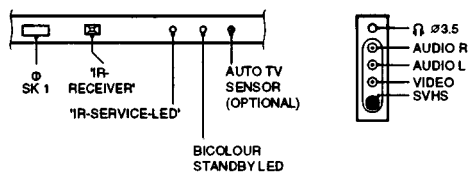
© Copyright reserved 1998 Philips Consumer Electronics B.V. Eindhoven, The Netherlands. All rights reserved. No part of this publication may be reproduced, stored in a retrieval system or transmitted, in any form or by any means, electronic, mechanical, photocopying, or otherwise without the prior permission of Philips.



PHILIPS

2.1 Front connections

TOP CONTROL FL7/FL8 STYLING



CL 86532057_top.Al
310798

Figure 2-1

2.1.1 Audio/Video

Video	1Vpp/75Ω	⊕ ⊗
Audio	L(0.5Vrms ≥10kΩ)	⊕ ⊗
Audio	R(0.5Vrms ≥10kΩ)	⊕ ⊗
Headphone	(32-600Ω ≥10mW)	⊕ ⊗

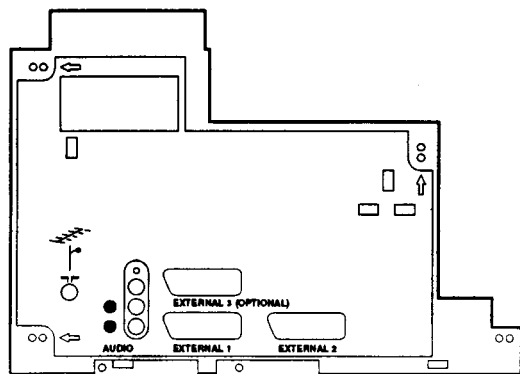
2.1.2 SVHS

1-		⊕
2-		⊕
3- Y	(1Vpp; 75Ω)	⊕ ⊗
4- C	(0.3 Vpp; 75Ω)	⊕ ⊗

2.2 Rear connections

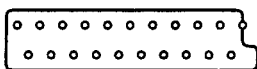
See figure 2.2

2.2.1 External 1(in/out): RGB+CVBS



CL 86532057_rear.Al
310798

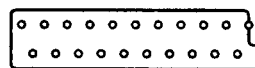
Figure 2-2



1- Audio	R (0.5Vrms ≤1kΩ)	⊕
2- Audio	R (0.5Vrms ≥10kΩ)	⊕
3- Audio	L (0.5Vrms ≤1kΩ)	⊕ ⊗
4- Audio		⊕ ⊗

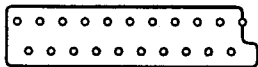
5- Blue		⊕
6- Audio	L (0.5Vrms ≥10kΩ)	⊕ ⊗
7- Blue	(0.7Vpp/75Ω)	⊕ ⊗
8- CVBS-status	0-1.3V:INT	
	4.5-7V:EXT 16:9	
	9.5-12V:EXT 4:3	⊕
9- Green		⊕
10-		⊕
11- Green	(0.7Vpp/75Ω)	⊕
12-		⊕
13- Red		⊕
14- RGB-status		⊕
15- Red	(0.7Vpp/75Ω)	⊕ ⊗
16- RGB-status	0-0.4V:INT	
	1-3V:EXT/75Ω	
17- CVBS		⊕
18- CVBS		⊕
19- CVBS	(1Vpp/75Ω)	⊕ ⊗
20- CVBS	(1Vpp/75Ω)	⊕ ⊗
21- Earth socket		⊕

2.2.2 External 2 (in/out): SVHS+RGB+CVBS (intended for VCR.)



1- Audio	R (0.5Vrms ≤1kΩ)	⊕
2- Audio	R (0.5Vrms ≥10kΩ)	⊕
3- Audio	L (0.5Vrms ≤1kΩ)	⊕ ⊗
4- Audio		⊕ ⊗
5- Blue		⊕
6- Audio	L (0.5Vrms ≥10kΩ)	⊕ ⊗
7- Blue / Chroma out	(0.7Vpp/75Ω)	⊕
8- CVBS-status	0-1.3V:INT	
	4.5-7V:EXT 16:9	
	9.5-12V:EXT 4:3	⊕
9- Green		⊕
10- Easy link		⊕
11- Green	(0.7Vpp/75Ω)	⊕
12-		⊕
13- Red		⊕
14- RGB-status		⊕
15- Red / chroma-in	(0.7Vpp/75Ω)	⊕ ⊗
16- RGB-status	(0-0.4V:INT	
	1-3V:EXT/75Ω)	
17- CVBS		⊕
18- CVBS		⊕
19- Y/CVBS	(1Vpp/75Ω)	⊕ ⊗
20- Y/CVBS	(1Vpp/75Ω)	⊕ ⊗
21- Earth socket		⊕

2.2.3 External 3 (in): CVBS+Audio (optional)



- 1-
2- Audio R (0.5Vrms >10kΩ) ⊕
3-
4- Audio ⊥
5-
6- Audio L (0.5Vrms >10kΩ) ⊕
7-
8- CVBS-status 0-1.3V:INT



4.5-7V:EXT 16:9

9.5-12V:EXT 4:3

- 9-
10-
11-
12-
13-
14-
15-
16-
17- CVBS
18- CVBS
19-
20- CVBS (1Vpp/75Ω)
21- Earth socket

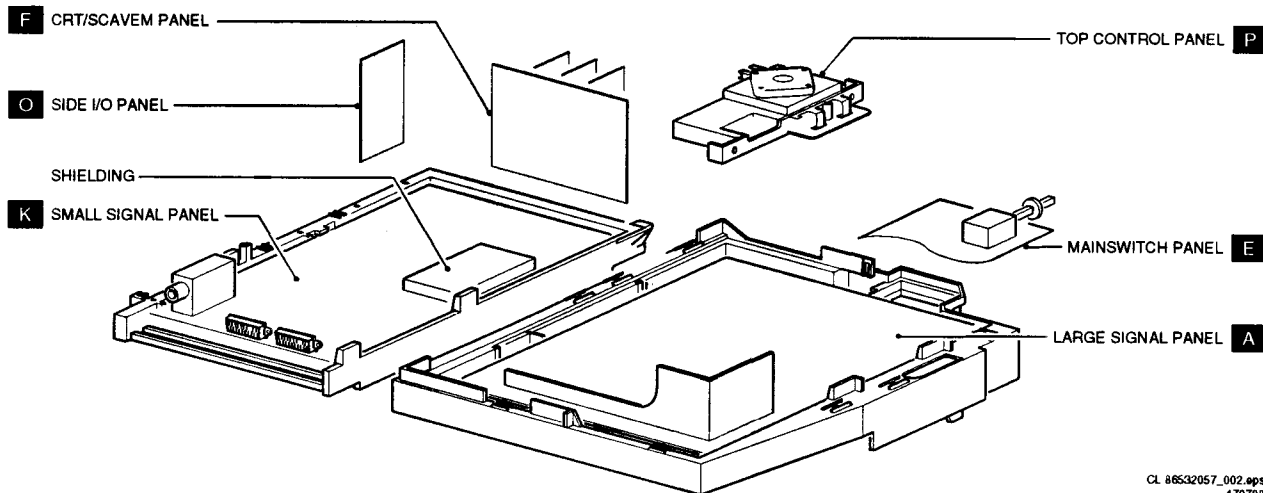


Figure 2-3

4.1 Removing the rear cover

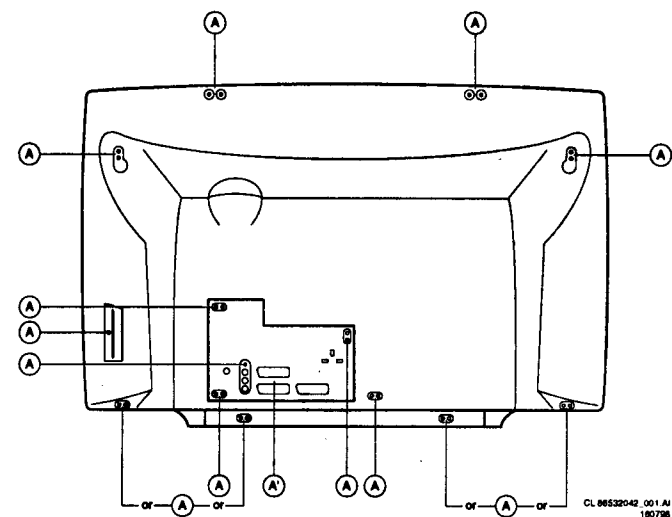


Figure 4-1

1. Remove the fixation screws (A) of the rear cover, notice also the side-I/O-screw; see figure 4.1 (A') screw only valid for 3-scarts configuration.
2. Remove the rear cover.

4.2 Service positions

There are two predefined service positions

1. Service position for the top side (component-side)
2. Service position for the bottom side (only valid for LSP) (copper-side)

4.2.1 Service position top side

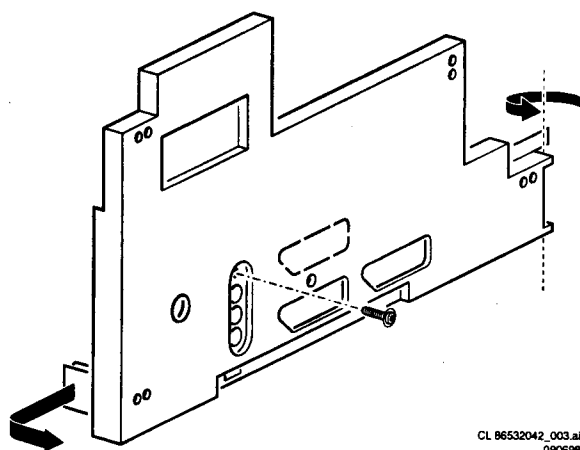


Figure 4-2

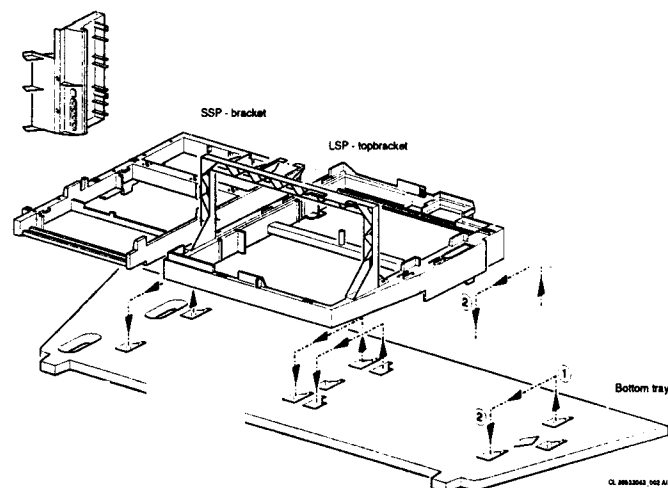


Figure 4-3

1. Remove 1 screw in case of 2-scarts I/O-backplate and 2 screws in case of a 3-scarts I/O-backplate. (See figure 4.2)
2. Remove I/O-backplate by releasing snap at left side. Pull to left and backwards. The I/O-bracket hinges at the right side. It can be removed now.
3. Pull backwards (about 8 cm) the bracket with the SSP and the LSP. These brackets are not fixed to each other, but can be repositioned backwards, as if they were one bracket.
4. Hook the brackets in the first row of fixation-holes of the bottom tray; see figure 4.3. In other words re-position the fixation from (1) TO (2)

4.2.2 Service position bottom side (only for LSP)

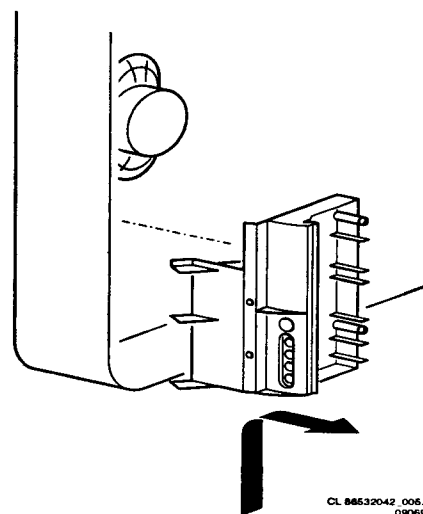


Figure 4-4

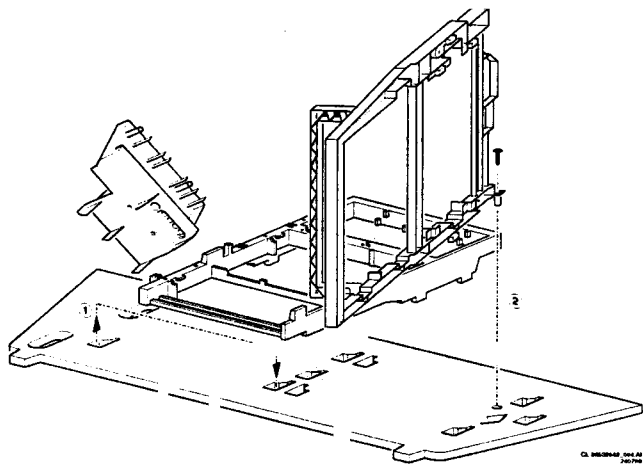


Figure 4-5

1. Referring to previous Service position one must remove the SSP and LSP from bottom tray by pulling back these two panels.
2. Disconnect the SSP from the LSP bracket
3. The two panels must be shifted some 25 cm to the right. When doing this the side-assembly can be taken out of the hinge (see figure 4.4), and placed on the bottom tray.
4. Either the LSP-topbracket must be removed first, or the cabling from SSP to LSP (O310 and O311) must be re-routed outside the LSP-topbracket to get room to position these panels
5. Turn the LSP 90 degrees anti clock wise and place the LSP in the hole of the bottom tray. If needed a screw can reinforce the stability of this position. (see figure 4.5) (See (2)).
6. The left front hook of the SSP panel can be fixed in a fixation-hole, that was used in previous service-position for the right front hook of the SSP. See described movement-action (1). (there is no right fixation hole)

4.2.3 (Service position bottom side SSP)

1. In fact there is no service position for the bottom of the SSP. Almost all components are present on the component-side. All test points are located on the component-side.
2. If ICs must be replaced take the complete panel out. If still a service-position is needed take SSP out of bracket and rotate it so that one (sitting behind the set) sees the copper-side of the SSP, with Tuner pointed to the upper-side.

4.3 Removing the LSP-top bracket

1. (See figure 4.3). Remove the two fixation screws of the LSP-topbracket (one on the left hand side, one on the right hand side)
2. Disconnect wirings from cable-clamps of LSP-topbracket
3. In case the line transformer is changed by a bigger type a part of the LSP-topbracket can be removed by breaking it

4.4 Removing the SSP from SSP-bracket

1. Release the three fixation clamps on the right hand side of the bracket
2. Press the board upwards and remove the board from the bracket

4.5 Removing the LSP from LSP-bracket

1. Release the two fixation clamps on the right hand side of the bracket
2. Press the board upwards and remove the board from the bracket

4.6 Removing the top control board

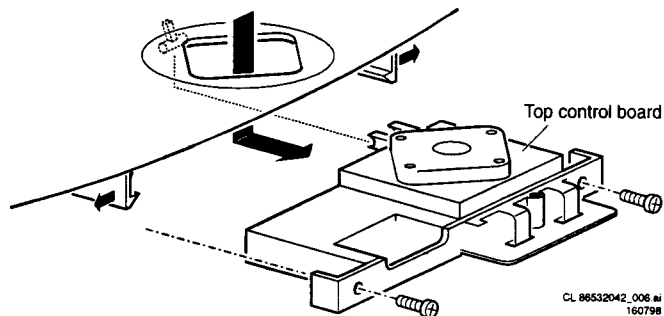


Figure 4-6

1. See figure 4.6. Pull 2 clamps to the outer side
2. Top control board can be pushed down now, while it hinges still in the front
3. Now the board can be pulled backwards
4. (If by accident the hinge in front is damaged or one of the clamps is broken, the top control board can also be fixed by 2 screws)

4.7 Removing the side I/O board

1. The complete Side I/O-assembly can be lifted out of the hinges and placed on the bottom tray of the set. (see fig 4.3)
2. The pcb can easily be removed out of the bracket by releasing the fixation clamps

4.8 Removing the mains switch/LED board

1. Release the two fixation clamps
2. Pull the board backwards

4.9 Mounting the rear cover

Before mounting the rear cover, check whether the mains cord is mounted correctly in the guiding brackets

In this chapter the following paragraphs are included:

- 5.1 Test points
- 5.2 Service modes, Dealer Service Tool and ComPair (including fault finding tips related to CSM-mode)
- 5.3 Error codes
- 5.4 Protections
- 5.5 Fault find tree

5.1 Test points

The MG2.1E chassis is equipped with test points in the service printing. These test points are referring to the functional blocks:

- P1-P2-P3, etc: Test points for the power supply
- L1-L2-L3, etc: Test points for the line drive and line output circuitry
- F1-F2-F3, etc on Small Signal Panel: Test points for the frame drive
- F1-F2-F3, etc. on CRT/Scavem Panel: Test points for the CRT-panel circuitry
- F1-F2-F3, etc. on Large Small Signal Panel: Test points for the frame output circuitry,
- S1-S2-S3, etc: Test points for the synchronisation circuitry
- V1-V2-V3, etc: Test points for the video processing circuitry
- I1-I2-I3, etc: Test points for the Tuner/IF part
- A1-A2-A3, etc. on Small Signal Panel: Test points for the audio processing circuitry
- A1-A2-A3, etc. on Large Signal Panel: Test points for the audio amplifiers
- C1-C2-C3, etc: Test points for the control circuitry
- T1-T2-T3, etc: Testpoints for the teletext circuitry
- SC1-SC2-SC3, etc: Test points for the Scavem circuitry

The numbering is done in a for diagnostics logical sequence; always start diagnosing within a functional block in the sequence of the relevant test points for that functional block.

5.2 Service modes, Dealer Service Tool and ComPair

For easy installation and diagnosis the dealer remote control RC7150 is introduced. The RC7150 can be used for all new TV sets, including all set of the MG2.1E chassis. The RC7150 is also called Dealer Service Tool or DST. The ordering number of the DST (RC7150) is 4822 218 21232.

Installation features for the dealer

The dealer can use the RC7150 for programming the TV-set with presets.

10 Different program tables can be programmed into the DST via a TV-set (downloading from the GFL, MD2 or MG2.1 to the DST; see GFL, MD2 and MG2.1 service manuals) or by the DST-I (DST interface; ordering code 4822 218 21277).

For explanation of the installation features of the DST, the directions for use of the DST (4822 727 20073) are recommended (For the MG2.1E chassis, download code 4 should be used).

Diagnose features for the servicer

The MG2.1E sets can be put in the two service modes via the DST RC7150. These are the Service Default Mode (SDM) and the Service Alignment Mode (SAM).

The SDM and SAM can also be entered by short circuiting the relevant pins on the SSP.

Service Default Mode (SDM)

Specification of the SDM:

- Tuning frequency 475.25 MHz
- TV-system for BGLM set to BG, for BGLL'I sets to LL'
- All picture settings at 50% (brightness, colour, contrast, HUE)
- All sound settings at 50% except volume at 25% (so bass, treble, balance at 50%, volume at 25%)
- All service-unfriendly modes are disabled (like sleep timer, child lock, blue mute)

Entering the SDM can be done in 2 ways:

- By the "DEFAULT" key on the DST while the set is in the normal operation mode.
- By shortcircuiting for a moment the two pins (pin 2 and 3 of connector 0356) on the component side of the SSP with the indication "SDM" (activation can be performed in all modes except when the set has a problem with the main-processor).

Note: If the SDM is entered via the pins, all the protections are de-activated.

Exiting the SDM can only be done via the STANDBY command. By switching off-on the set with the mains switch the MG2.1E will come up again in the SDM.

Service Alignment Mode (SAM)

Specification of the SAM:

- Software alignments (see chapter 8)
- Option settings (see chapter 8)
- Error buffer reading and erasing. The most recent error code is displayed on the left side.
- Operation counter
- Software version

Entering the SAM can be done in 2 ways:

- By the > button on the DST while the set is in the normal operation mode (or SDM). Enter the password '3-1-4-0' and press OK.
- By shortcircuiting for a moment the two pins (pin 1 and 2 of connector 0356) on the component side of the SSP with the indication "SAM" (activation can be performed in all modes except when the set has a problem with the microprocessor).

Note: If the SAM is entered via the pins, all protections are de-activated.

Exiting the SAM can be done via the MENU command or via switching off-on the set with the mains switch.

Customer Service Mode (CSM)

All MG2.1E sets are equipped with the 'Customer Service Mode' (CSM). This 'Customer Service Mode' (CSM) is a special service mode which can be activated and deactivated by the customer upon request of the service technician/dealer during a telephone conversation in order to identify the status of the set. This CSM is a 'read only' mode, therefore modifications in this mode are not possible.

Switching-on of the Customer Service Mode

The Customer Service Mode will switch-on after pressing simultaneously the "MUTE" knob on the remote control handset and the "MENU" button on the TV for at least 4

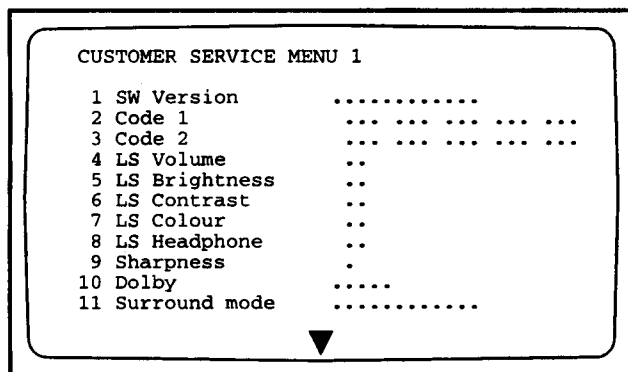
seconds. This activation only works if there is no menu on the screen.

Switching-off the Customer Service Mode

The Customer Service Mode will switch-off after pressing any key of the remote control handset (with exception of the 'cursor-up' and 'cursor-down' keys, or the buttons on the TV or by switching off the TV set with the mains switch).

Detailed explanation of the Customer service Mode

After switching on the Customer Service Menu the following screen will appear:



86532061_004.AI
230798

Figure 5-1 Customer Service Menu 1

Line 1: Software version; the build in software version AAAA=MG21(chassis name) B= E (Europe) C= 1 (language cluster) X = main version number Y = sub version number Details on the software version can be found in the chapter "Software Survey" of the publication "Product Survey - Colour Television".

Line 2: Code 1; gives the last 5 errors of the error buffer. As soon as the built-in diagnose software has detected an error the buffer is adapted.

Line 3: Code 2; gives the first 5 errors of the error buffer. As soon as the built-in diagnose software has detected an error the buffer is adapted. The last occurred error is displayed on the leftmost position of code 2. Each error code is displayed as a 3 digit number. When less than 10 errors occur, the rest of the line(s) is(are) empty. In case of no errors the text "No Errors" is displayed. See paragraph 5.3 of this chapter for a description of the error codes.

Line 4: LS Volume; gives the Last Status of the volume as set by the customer for this selected transmitter. Volume values can be changed via the volume key on the remote control handset.

Line 5: LS Brightness; gives the Last Status of the brightness as set by the customer for this selected transmitter. Brightness values can be changed via the 'cursor left' and 'cursor right' keys on the remote control handset after pressing the red button for picture menu and selecting "brightness".

Line 6: LS Contrast; gives the Last Status of the contrast as set by the customer. The value can vary from 0 (contrast is minimum) to 63 (contrast is maximum). Contrast values can be changed via the 'cursor left' and 'cursor right' keys on the remote control handset after pressing the red button for picture menu and selecting "contrast".

Line 7: LS Colour; gives the Last Status of the colour saturation, as set by the customer. The value can vary from 0

(colour is minimum) to 63 (colour is maximum). Colour values can be changed via the 'cursor left' and 'cursor right' keys on the remote control handset after pressing the red button for picture menu and selecting "colour".

Line 8: LS Headphone; gives the Last Status of the headphone volume, as set by the customer. The value can vary from 0 (volume is minimum) to 63 (volume is maximum). Headphone volume values can be changed via the 'cursor left' and 'cursor right' keys on the remote control handset after pressing the green button for sound menu and selecting "headphone".

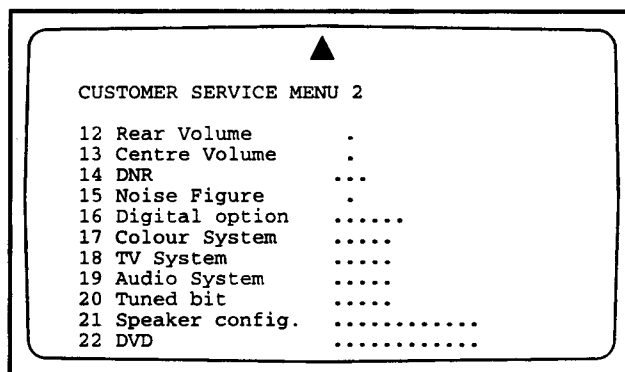
Line 9: Sharpness; gives the sharpness value. The value can vary from 0 (sharpness is minimum) to 4 (sharpness is maximum). In case of bad antenna signals a too high value of the sharpness can result in a noisy picture. Sharpness values can be changed via the 'cursor left' and 'cursor right' keys on the remote control handset after pressing the red button for picture menu and selecting "sharpness".

Line 10: Dolby; indicates whether the received transmitter transmits Dolby sound (present) or not (not present). Attention: The presence of Dolby can only be tested by the software on the Dolby Signalling bit. If a Dolby transmission is therefore received without a Dolby Signalling bit, then this indicator will show "not present" even though such a Dolby transmission is received.

Line 11: Surround Mode; indicates the by the customer selected surround mode. In case the set is a Non-dolby set there will be displayed "0". If it is a Dolby-set then is displayed: "Pro Logic", "Dolby 3 Stereo", "Hall" or "Off". For Dolby-set surround mode can be changed via the 'cursor left' and 'cursor right' keys on the remote control handset after pressing the green button for sound menu and selecting "Surround settings".

By means of the 'cursor-down' knob on the remote control handset the Customer Service Menu 2 will appear. By means of the 'cursor-up' knob on the remote control handset the Customer Service Menu 1 will appear again.

Customer Service Menu 2 represents following information:



86532061_005.AI
230798

Figure 5-2 Customer Service Menu 2

Line 12: Rear Volume; gives the volume value of the surround sound loudspeakers. This value can vary from 0 (minimum volume) to 63 (maximum volume). Rear volume can be changed via the 'cursor left' and 'cursor right' keys on the remote control handset after pressing the green button for sound menu, selecting "Surround settings" and selecting "Rear volume". This feature is only available when surround mode is in "Dolby Pro Logic" or "Hall".

Line 13: Centre Volume; gives the volume value of the centre loudspeakers. This value can vary from 0 (minimum volume) to 63 (maximum volume). Centre volume can be changed via the 'cursor left' and 'cursor right' keys on the remote control handset after pressing the green button for sound menu, selecting 'Dolby Pro Logic' and selecting "centre volume". This feature is only available when surround mode is in "Dolby Pro Logic" or "Dolby 3 Stereo".

Line 14: DNR (Dynamic Noise Reduction); gives the setting of the DNR for the selected transmitter. The following selections are possible:

"off", "min", "med" or "max"
 "off" or "automatic" (MG2.1E with "Automatic Noise Reduction").

The DNR can be changed via the "DNR" key on the remote control handset.

Line 15: Noise Figure; gives the selected noise ratio for this selected transmitter. This value can vary from 0-2 (good signal) to 4-5 (average signal) and to 7 or higher (bad signal). This only works in case the DNR selection is "off/automatic".

Line 16: Digital Option; gives the selected digital mode, "100Hz", Digital Scan" or "Natural Motion". Digital option can be changed via the 'cursor left' and 'cursor right' keys on the remote control handset after pressing the red button for picture menu and selecting "digital options".

Line 17: Colour System; gives information about the colour system of the selected transmitter.

Black and white:no colour carrier received
 PAL:PAL signal received
 SECAM:SECAM signal received
 NTSC:NTSC signal received

Line 18: TV System; gives information about the video system of the selected transmitter.

- BG:BG signal received
- DK:DK signal received
- I:PAL I signal received
- L:SECAM L signals received
- M38.9:NTSC M signal received with video carrier on 38.9 MHz
- MN:NTSC M signal received

Line 19: Audio System; gives information about the audio system of the selected transmitter.

- Sound Muted:No sound
- Dolby Pro Logic:Dolby Pro Logic sound received
- Mono:Mono sound received
- Stereo:Stereo sound received
- Dual I:Language I received
- Dual II:Language II received
- Digital Mono:Digital mono sound is received
- Digital Stereo:Digital stereo sound is received
- Digital Dual I:Digital language I is received
- Digital Dual II:Digital language II is received

Line 20: Tuned Bit; gives information about the tuning method of the stored preset. If the value is "Yes" the preset is stored via manual entry of the frequency when a transmitter was not present on that frequency. In that case the TV will attempt to perform a micro-search every time the preset number is selected. Once the micro-search has been successful the Tuned Bit will be set to "No".

Line 21: Speaker configuration; gives the configuration setting for the speakers.

In case the set is a Non-dolby set there will be displayed "0". If it is a Dolby-set then is displayed:

"Full internal", "L/R external", "Surround external" or "Full external". For the Dolby-set the speaker configuration can be changed via the 'cursor left' and 'cursor right' keys on the remote control handset after opening the installation menu and selecting "set up". The installation menu can be opened by pressing 'timer' and 'enlarge' at the same time. This feature is only available when the set has virtual Dolby.

Line 22: DVD; gives the configuration setting for DVD. This can be "Present" or "Not Present". If "Present" is selected the starting point is a top quality signal and a number of settings are therefore changed automatically. DVD can be changed via the 'cursor left' and 'cursor right' keys on the remote control handset after opening the installation menu and selecting "set up". The installation menu can be opened by pressing 'timer' and 'enlarge' at the same time.

Problems and solving tips

The procedures to change the value or the status of the different settings is described in the paragraph 'Detailed explanation of the Customer Service Mode'

Picture problems

Worse picture quality in case of DVD pictures Check line 22 "DVD". In case line 22 gives the indication "Not Present" change the setting into "Present".

Snowy/noisy picture

1. Check line 15 "Noise Figure". In case the value is 7 or higher and the value is also high on other programs check the aerial cable / aerial system.
2. Check lines 9 "Sharpness", 14 "DNR" and 15 "Noise Figure". In case the value of line 9 is 3 or 4 and the value of line 15 is high (7 or higher), lower the value of line 9 "sharpness" and switch DNR (line 14) to "automatic", "on" or to a higher value.

Picture too dark

1. Press "Smart Picture" button on the Remote Control handset. In case picture improves, raise the brightness value or raise the contrast value. The new value(s) are automatically stored for all TV channels.
2. After switching on the Customer Service Mode the picture is OK. Raise the brightness value or raise the contrast value. The new value(s) are automatically stored for all TV channels.
3. Check lines 6 "PP Brightness" and 7 "PP Contrast". The value of line 6 is low (<10) or the value of line 7 is low (<10). Raise the brightness value or raise the contrast value.

Picture too bright

1. Press "Smart Picture" button on the Remote Control handset. In case picture improves, reduce the brightness value or reduce the contrast value. The new value(s) are automatically stored for all TV channels.
2. After switching on the Customer service Mode the picture is OK. Reduce the brightness value or reduce the contrast value. The new value(s) are automatically stored for all TV channels.
3. Check lines 6 "PP Brightness" and 7 "PP Contrast". The value of line 6 is high(>40) or the value of line 7 is high (>50). Reduce the brightness value or raise the contrast value.

Fading picture

Digital scan effect. Check line 14 "DNR". The status of "DNR" is 'med' or 'max'. Reduce "DNR" to 'min' or switch off the digital scan.

White line around picture elements and text

1. Press "Smart Picture" button on the Remote Control handset. In case picture improves, reduce the sharpness value. The new value(s) are automatically stored for all TV channels.
2. After switching on the Customer service Mode the picture is OK. Reduce the sharpness value. The new value(s) are automatically stored for all TV channels.
3. Check lines Check line 8 "Sharpness". Reduce the sharpness value. The new value(s) are automatically stored for all TV channels

No picture Check line 20 "Tuned bit". In case the value is 'Yes', install the required program again. Open the installation menu by pressing 'timer' and 'enlarge' at the same time and perform manual installation.

Blue picture No proper signal is received. Check the aerial cable/aerial system.

Blue picture and/or unstable picture A scrambled or decoded signal is received

Black and white picture Check line 5 "PP colour" In case the value is low (<10) raise the value of colour. The new value(s) are automatically stored for all TV channels.

No colours/colour lines around picture elements

1. Check lines 17 "Colour System" and 18 "TV System". In case line 17 is 'PAL' and line 18 is 'M 38,9', the installed system for this preset is 'USA', while 'West Europe' is required. Install the required program again. Open the installation menu by pressing 'timer' and 'enlarge' at the same time and perform manual installation. Select 'System; West Europe'.
2. In case line 17 is 'PAL' and line 18 is 'L', the installed system for this preset is 'France', while 'West Europe' is required. Install the required program again. Open the installation menu by pressing 'timer' and 'enlarge' at the same time and perform manual installation. Select 'System; West Europe'

No colours/noise in picture

1. Check lines 17 "Colour System" and 18 "TV System". In case line 17 is 'Black and White' and line 18 is 'BG', the installed system for this preset is 'West Europe', while 'USA' is required. Install the required program again. Open the installation menu by pressing 'timer' and 'enlarge' at the same time and perform manual installation. Select 'System; USA'.
2. In case line 17 is 'Black and White' and line 18 is 'L', the installed system for this preset is 'France', while 'USA' is required. Install the required program again. Open the installation menu by pressing 'timer' and 'enlarge' at the same time and perform manual installation. Select 'System; USA'

Colours not correct Check lines 17 "Colour System" and 18 "TV System". In case line 17 is 'PAL' and line 18 is 'L', the installed system for this preset is 'France', while 'West Europe' is required. Install the required program again. Open the installation menu by pressing 'timer' and 'enlarge' at the same time and perform manual installation. Select 'System; West Europe'.

Colours not correct/unstable picture Check lines 17 "Colour System" and 18 "TV System". In case line 17 is 'SECAM' and line 18 is 'BG', the installed system for this preset is 'USA', while 'France' is required. Install the required program again. Open the installation menu by pressing 'timer' and 'enlarge' at the same time and perform manual installation. Select 'System; France'.

Unstable picture Check lines 17 "Colour System" and 18 "TV System". In case line 17 is 'SECAM' and line 18 is 'M 38,9', the installed system for this preset is 'West Europe', while 'France' is required. Install the required program again. Open the installation menu by pressing 'timer' and 'enlarge' at the same time and perform manual installation. Select 'System; France'.

Menu text not sharp enough

1. Press "Smart Picture" button on the Remote Control handset. In case picture improves, reduce the contrast value. The new value(s) are automatically stored for all TV channels.
2. After switching on the Customer Service Mode the picture is OK. Reduce the contrast value The new value(s) are automatically stored for all TV channels.
3. Check line 7 "PP Contrast". The value of line 7 is high (>50). Reduce the contrast value.

Sound problems**No sound from left and right speaker**

1. Press "Smart Sound" button on the Remote Control handset. In case sound improves, raise the volume value. The new value(s) are automatically stored for all TV channels.
2. After switching on the Customer Service Mode the volume is OK. Raise the volume value. The new value(s) are automatically stored for all TV channels.
3. Check line 4 "PP Volume". The value is low. Raise the value of "PP Volume". The new value(s) are automatically stored for all TV channels.

Sound too loud for left and right speaker

1. Press "Smart Sound" button on the Remote Control handset. In case sound improves, reduce the volume value. The new value(s) are automatically stored for all TV channels.
2. After switching on the Customer Service Mode the volume is OK. Reduce the volume value. The new value(s) are automatically stored for all TV channels.
3. Check line 4 "PP Volume". The value is high. Reduce the value of "PP Volume". The new value(s) are automatically stored for all TV channels.

No sound from "centre" speaker Check line 12 "Centre Volume" The value is low. Raise the value of the "Centre Volume"

Sound too loud from "centre" speaker Check line 12 "Centre Volume" The value is high. Reduce the value of the "Centre Volume"

Diagnose Mode (only active during transmission of error codes and diagnose 99)

This mode is activated by the DIAGNOSE command on the DST for reading the error codes and erasing the error buffer by the DST even when the set is in protection and so there is no picture (assuming that the power supply and the control part are working). For activation see paragraph 5.3. The diagnose Mode is only a temporarily mode (the set will go back to the previous mode), and can not be switched on permanently.

Note: The diagnose mode can not be entered if the SAM is activated.

Compair

Compair (Computer Aided Repair) is a service tool for Philips Consumer Electronics products. Compair is a further development on the DST service remote control allowing faster and more accurate diagnostics. Compair has three big advantages:

Compair helps you to quickly get an understanding how to repair the MG2.1E in short time by guiding you step by step through the repair procedures

Compair allows very detailed diagnostics (on I²C level) and is therefore capable of accurately indicating problem areas. You do not have to know anything about I²C commands yourself; Compair takes care of this. Compair speeds up the repair time since it can automatically communicate with the MG2.1E (when the micro processor is working) and all repair information is directly available. When Compair is installed together with the SearchMan MG2.1E electronic manual, schematics and PCBs are only a mouse-click away

Compair consists of a Windows based fault finding program and an interface box between PC and the (defective) product. The Compair interface box is connected to the PC via a serial or RS232 cable. In case of the MG2.1E chassis, the Compair interface box and the television communicate with each other via bi-directional infrared signal.

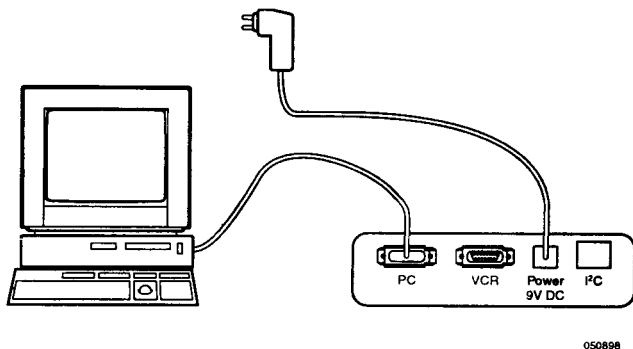


Figure 5-3

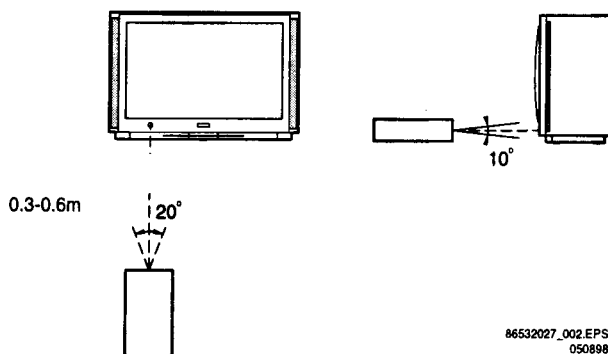


Figure 5-4

The Compair fault finding program is able to determine the problem of the defective television. Compair can gather diagnostic information in 2 ways:

1. communication to the television (automatic)
2. asking questions to you (manually)

Compair combines this information with the repair information in its database to find out how to repair the MG2.1E.

Automatic information gathering

Step-by-step start up Under normal circumstances, a fault in the power supply or an error during start-up will switch the television to protection-mode. Compair can take over the initialisation of the television. In this way it is possible to distinguish which part of the start-up routine (hence which circuitry) is causing the problem.

Reading out the error buffer Compair can automatically read out the contents of the entire error buffer.

Diagnosis on I²C level. Compair can access the I²C bus of the television without a physical connection. Compair can send and receive infrared commands to the micro controller of the television. These commands are translated by the controller to I²C commands and vice versa. In this way it is possible for Compair to communicate (read and write) to devices on the I²C busses of the MG2.1E.

Manual information gathering

Automatic diagnosis is only possible if the micro controller of the television is working correctly and only to a certain extend. When this is not the case, Compair will guide you through the fault finding tree by asking you questions and showing you examples. You can answer by clicking on a link (e.g. text or an oscillogram) that will bring you to the next step in the fault findig process.

A question could be: Do you see snow? (Click on the correct answer)

YES / NO

An example can be: Measure testpoint I7 and click on the correct oscillogram you see on the oscilloscope

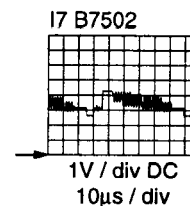


Figure 5-5

By a combination of automatic diagnostics and an interactive question/answer procedure, Compair will enable you to find most problems in a fast and effective way.

Additional features

Beside fault finding, Compair provides some additional features like:

- Uploading / downloading of presets
- Managing of preset lists
- Emulation of the Dealer Service Tool

SearchMan (electronic service manual)

When Compair is installed in combination with SearchMan, all schematics and PCBs will be directly available while you repair a television if you click on a PCB or schematic link:

Example: Measure the DC voltage on C2568 (PCB / schematic) on the small signal level..

Clicking on PCB will automatically pop-up a picture of the PCB with the location of C2568 marked. Clicking on schematic will automatically pop-up the schematic with the location of C2568 marked.

5.3 Error codes

5.3.1 Reading error codes from the error buffer

The error buffer can be read in 2 ways:

- On the screen via the Service Alignment Mode (SAM) In case picture is OK, the error buffer can be read the easiest via the SAM. In the main menu of the SAM the last 10 different error codes occurred are displayed. The most recent detected error code is displayed on the left side, so e.g.: 0 0 0 0 means no error codes present in the buffer 3 0 0 0 means one error code present in the buffer; error code 3 2 3 0 0 means two error codes present in the buffer; error code 2 is the most recent, error code 3 is detected before 2
- On the display of the DST If an error has been detected by the MG2.1E chassis, the set might go into protection. Without the presence of a picture the errors can be read by the DST, as long as the main-processor is still active (green LED continuous and red LED blinking fast (5Hz); in case of red LED is blinking slow (1,25Hz) there is a main-processor problem). To transmit the errors from the TV to the DST:
 - Press the "DIAGNOSE" key (in all modes except the SAM)
 - Press "1" to view the last error detected.

- Hold the DST 5 to 10 cm from in front of the stand-by LED of the set (the IR-sending LED of MG2.1E is located near the stand-by LED).
- Press the "OK" key.

The error is represented by a 2 digit number. The 2 digits on the DST are displayed sequentially, with a pause before it is repeated. The digit after the pause is the 1st digit. If the display reads 4 - 7, the error code is 47. To read other error codes, press "DIAGNOSE" and one of the other digit keys. Note:

- If the DST cannot communicate to the MG2.1E in a proper way, ERROR 2 is shown in the display of the DST. Trying again by changing the DST position a little bit might often help.
- If the error buffer of MG2.1E is empty, no errors are displayed by the DST; the display remains blank.

5.3.2 Clearing the error buffer

The error buffer can be cleared in 2 ways:

- In the SAM by selecting the item RESET ERROR BUFFER in the main menu.
- By the "DIAGNOSE 99" command of the DST (in all modes except the SAM). Press the DIAGNOSE key on the DST, followed by 9 and 9 and then >.

5.3.3 Error code table

Table 5-1 Error messages

Error	Device	Description	item	Diagram	Defective module indication
1	ST24E16	Non volatile memory	IC7008	K7	Control
2	ST24E32 or M24C32	Non volatile memory	IC7008	K7	
3	SAA5800	OTC2.5 microprocessor/TXT	IC7003	K7	
5	UV1316	Tuner	U1102	K1	Tuner
15	TDA9320H	HIP I/O-video processing	IC7501	K1	Chroma IF IO
20	TDA9330H	HOP video control/deflection processor	IC7300	K6	Video Controller
25	MSP3410D	ITT sound processor	IC7751	K3	Audio module
26	SAA7712H	SEDSP dolby processor	IC7770	K4	
50	SAA4978H	Picnic	IC7609	K5	Feature Box
51	SAA4990H	Prozonic	IC7608	K5	
65	Slow I ² C		fig 5.7		Slow I ² C
66	Fast I ² C		fig 5.7		Fast I ² C
67	Supply 5V	5V2	fig 5.6		+5 V Supply
68	Supply 8V	8V6	fig 5.8		+8V Supply
20	V fail protection	VFB	fig 5.9	A3/A2/K6	Vertical Flyback
71	H fail protection	HFB	fig 5.9	A2/K6	Horizontal Flyback
73	Line Deflection protection	LDP	IC7484	A2/K6	Line Deflection
74	Beam Current Protection	BC-PROT	TS7351	K6/K7	Beam Current
76	DC Sound protection	DC-PROT	TS7762	A4/A1	Sound Output
77	Feature box protection	FBX-PROT	fig 5.5	K4	+3V3 (FBX) Supply

Remark: If on the DST the text "ERROR 2" is displayed, this means that the communication from the TV to the DST has failed

5.4 Protections

5.4.1 General

The MG2.1E "Protection Diagram" shows the structure of the protection system. See protection diagram (fig 5.6)

One micro-processor.

The MG2.1E has only one micro-processor (OTC) and it remains active during Standby. This because power of the uP and the attached memory chip set is coming from the 3V3 supply, which is derived from the 5V Standby-circuitry. So in both power-on as in Standby-mode the uP is connected to this power supply. The micro processor controls the Standby-line for switching on and off the main supply. In the standby-mode or in the protection-mode the Standby-line will open the contacts of relay 1002 via T7000 and T7001, this results in switching off the mains input to the main supply (FFS). In the mean time via T7550 the intensity of LED of the opto-coupler will increase, which results in a quick slow-down of the FFS supply.

Two service-modes

To get a quick diagnoses the MG2.1E has two service-modes implemented:

The service default mode. Start-up of the set in a predefined way.

The service alignment mode. In this mode items of the set can be adjusted via a menu and with the help of test patterns.

Both modes can be entered via the service connector on the SSP (connector 0356) or via the DST (dealer service tool) or via Compar. The service alignment mode can not be entered in Standby, the set has to be in normal operation.

Protection levels

If a fault situation is detected an error code will be generated and if necessary the set will be put in the protection-mode. The protection-mode is indicated by blinking of the red LED. In some error cases the micro processor does not put the set in the protection-mode. The error codes of the error buffer can be read via the service-menu (SAM) or via the service send-LED and the DST/ Compar. The DST diagnose functionality will force the set in to the Service-standby, which is alike the usual Standby, however the micro-processor has to remain in normal operation completely.

The protections of the MG2.1E can be divided in 4 groups

- Protection from I²C-busses (Fast and Slow) or I²C-IC errors (device errors)
- Protection from the inputs on the OTC
- Protections from the status register of the HOP (communicated via I²C-bus)
- DC-protection (sound amplifiers) monitored on OTC

5.4.2 Protection from the I²C bus (fig. 5.7)

In normal operation some registers of the I²C controlled ICs will be refreshed every 200 msec. During this sequence three I²C-busses and the I²C-ICs as well will be checked. The I²C protection will take place if the SDA and SCL are whether short

circuited to ground or to each other. An I²C error can also occur, if the power supply of the IC is missing.

Protection from the inputs on the OTC (fig.5.8)

If a protection is detected at an input of the OTC, all protection inputs of the OTC will be scanned every 200 msec. for 5 times. If the protection on one of the inputs is still activated after 1 sec., then the set will be put in the protection-mode. Before the scanning is started a so called ESD-refresh will be carried out first, because the interrupt on one of the inputs may be caused either by a FLASH or by ESD. As a FLASH or ESD can harm the settings of some ICs, the HOP-HIP-ITT-EDRIC (Dolby-IC)-TEA6417-TEA6422-LTP-PICNIC and Tuner are initialised again to ensure the normal picture and sound conditions of the set.

- 8V6 and 5V2 protection. (See detailed figure 5.8)
- The presence of the 8V6 and 5V2 is sensed by the OTC. If the 8V6 and 5V2 is not present, then an error code is stored in the error buffer and the set is put in the protection-mode.
- BC protection (Beam Current). (See detailed figure 5.8)
- The beam current is measured by a circuit on the SSP. If the beam current exceeds a certain reference level, then via D6350 and T7351 the BC-input of the OTC is set to high. The error code is stored in the error buffer and the set is put in the protection-mode.
- LDP-protection (Line Deflection Protection) (See detailed figure 5.8)
- Two protection circuits are connected to the LDP-input of the HOP :
 1. Flash detection. From the EHT-info, via D6341 and T7341 a flash will stop the H-drive and line output stage immediately. The FLS-bit in the status register of the HOP is set to 'high'. As the duration of a flash is very short the FLS-bit will be reset to 'low' again after the flash refresh, so via a slow start the set will be started again.
 2. LDP detection. The EW-protection, coming from the line-output is also connected to the same input as above. The current through the EW-stage is measured by R3483 and R3484 on the LSP. The voltage across these precision resistors will increase in case of a failure at the line output stage. If the voltage becomes higher than 1 V, then the output of IC7484 will become 'high' and remains 'high' via D6485 and R3490. Via D6344 the H-drive will be stopped. The FLS-bit will be set to 'high' and remains 'high' by means of the software filtering even after a flash refresh. The OTC will put the set Standby-mode. The error code is stored in the error buffer and the set gets into the protection mode.

5.4.4 Protections from the status register of the HOP (fig. 5.9)

Every 200 msec. the status register of the HOP is read by the OTC via I²C. If a protection signal is detected on one of the inputs of the HOP, then the relevant error bit in the HOP register is set to 'high'. If the error bit is still 'high' after 1 sec., the OTC will store the error code in the error buffer and depending on the relevancy of the error bit the set will either go into the protection-mode or not.

HFB : Horizontal Flyback (See detailed figure 5.9) Missing the horizontal fly back pulse is detected via an input of the HOP. One status bit is set to 'high'. The error code is stored in the error buffer and the set will go into the protection mode

VFB : Vertical Flyback (See detailed figure 5.9) The HOP will blank the screen, if the vertical flyback signals are not present at the VFB-guard input. The relevant status bit will

be set in the register of the HOP. The error code is stored in the error buffer, in this case protection is not necessary.

5.4.5 DC-protection, sound amplifiers (Fig. 5.10)

This is an urgent protection, the circuitry is located at the LSP. The output of the protection circuit will slow-down the FFS power supply immediately via the opto-coupler and via the Standby-relay the supply will be switched into Standby-mode at once. To be able to store the error code in the error buffer the protection signals are also wired to the OTC.

The protection is activated in case of

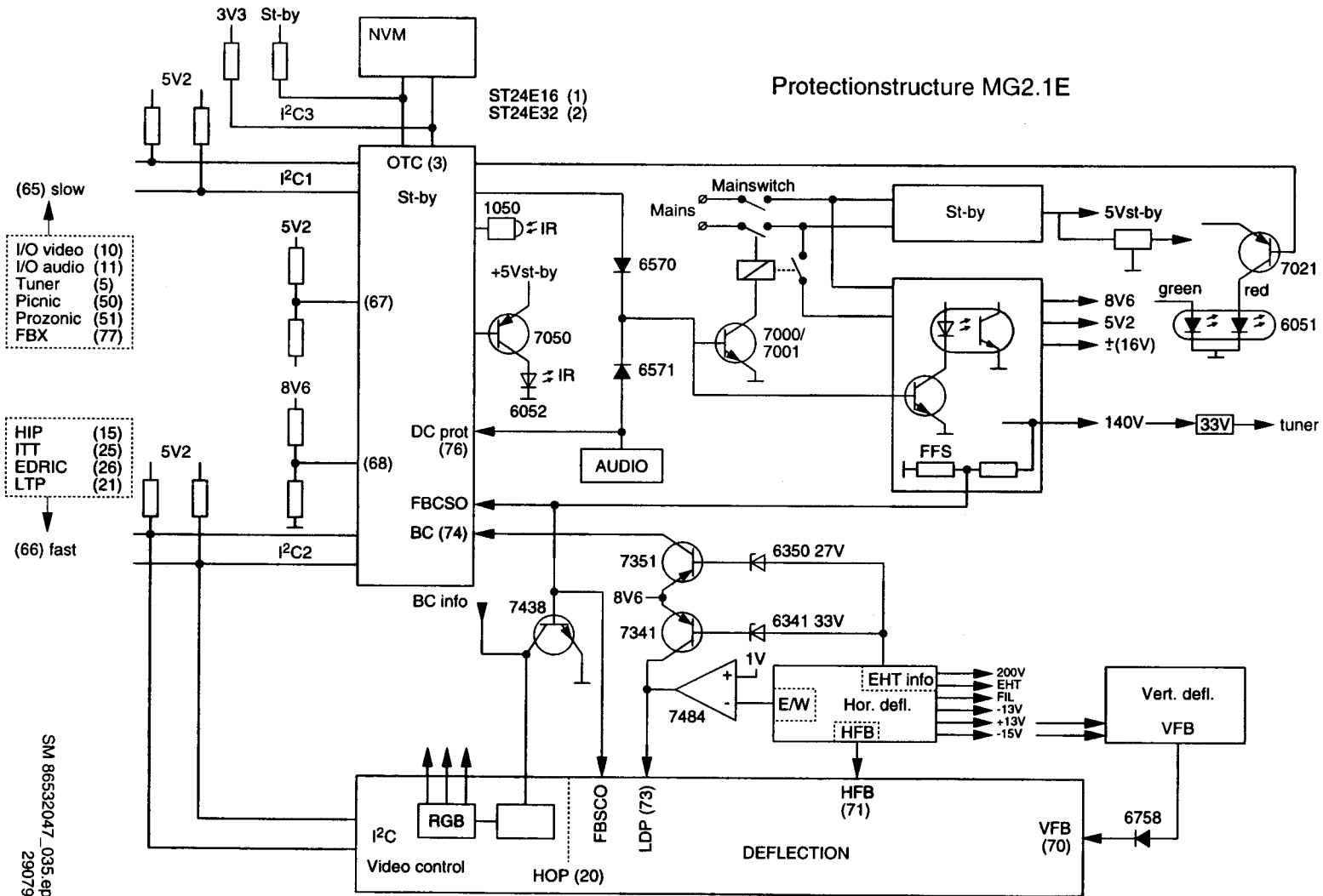
- unbalance of +Vs and -Vs

- unbalance of +7V7 and -7V7

- DC output present on one of the audio amplifiers

5.5 Fault find trees

See fault find trees at the end of this chapter. (figures 5.11-5.17)

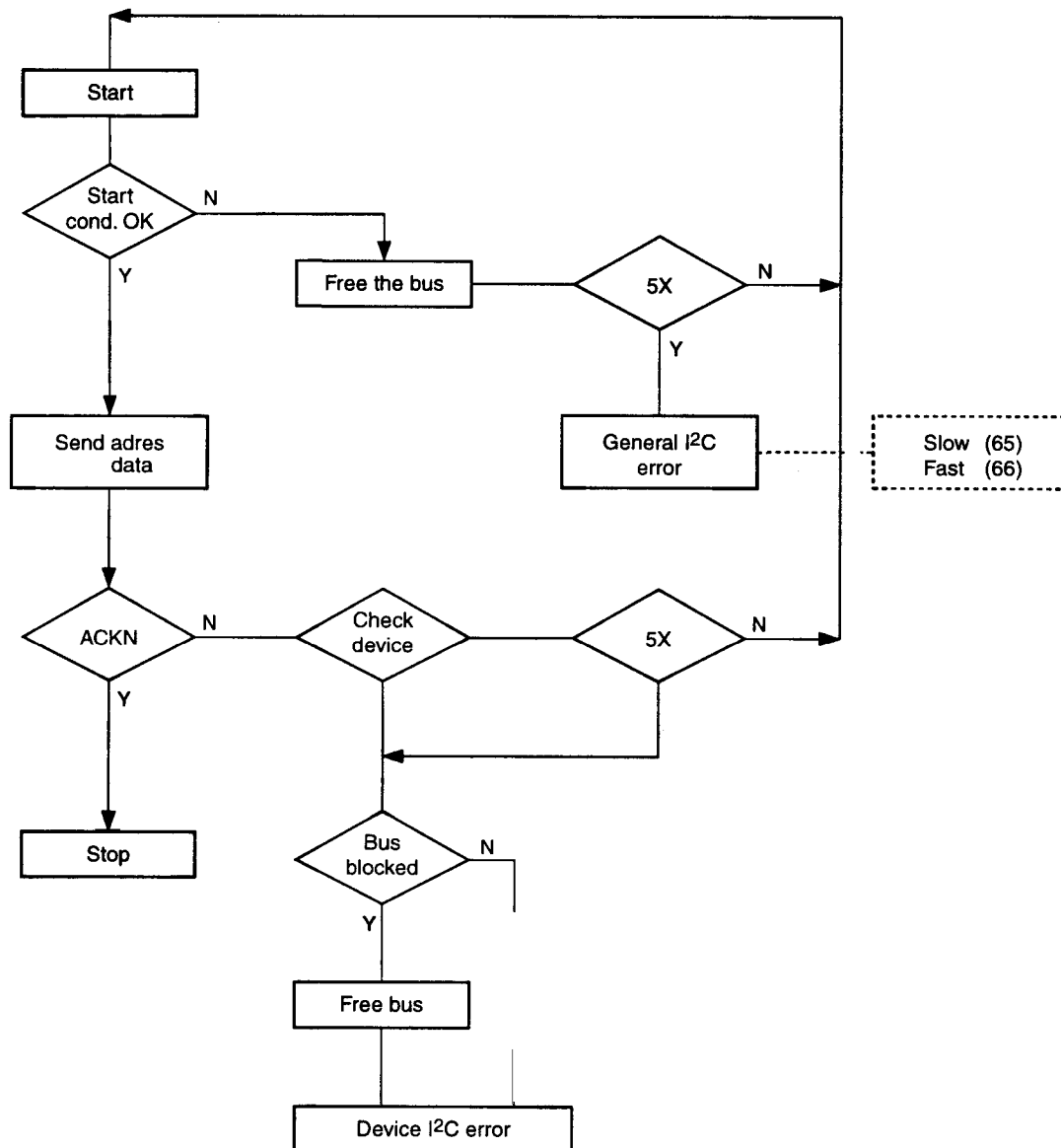


- (65) slow
- I/O video (10)
 - I/O audio (11)
 - Tuner (5)
 - Picnic (50)
 - Prozonic (51)
 - FBX (77)

- (66) fast
- HIP (15)
 - ITT (25)
 - EDRIC (26)
 - LTP (21)

SM 86532047_035 eps
290798

Figure 5-6

I²C drivers

Slow	
TEA 6422	(11)
Tuner	(5)
Picnic	(50)
Prozonic	(51)
I/O video	(10)
FBX PROT	(77)

Fast	
LTP	(21)
Dolby	(26)
ITT	(25)
HIP	(15)
HOP	(20)

NVM-bus	
NVM	(1)
	(2)

Figure 5-7

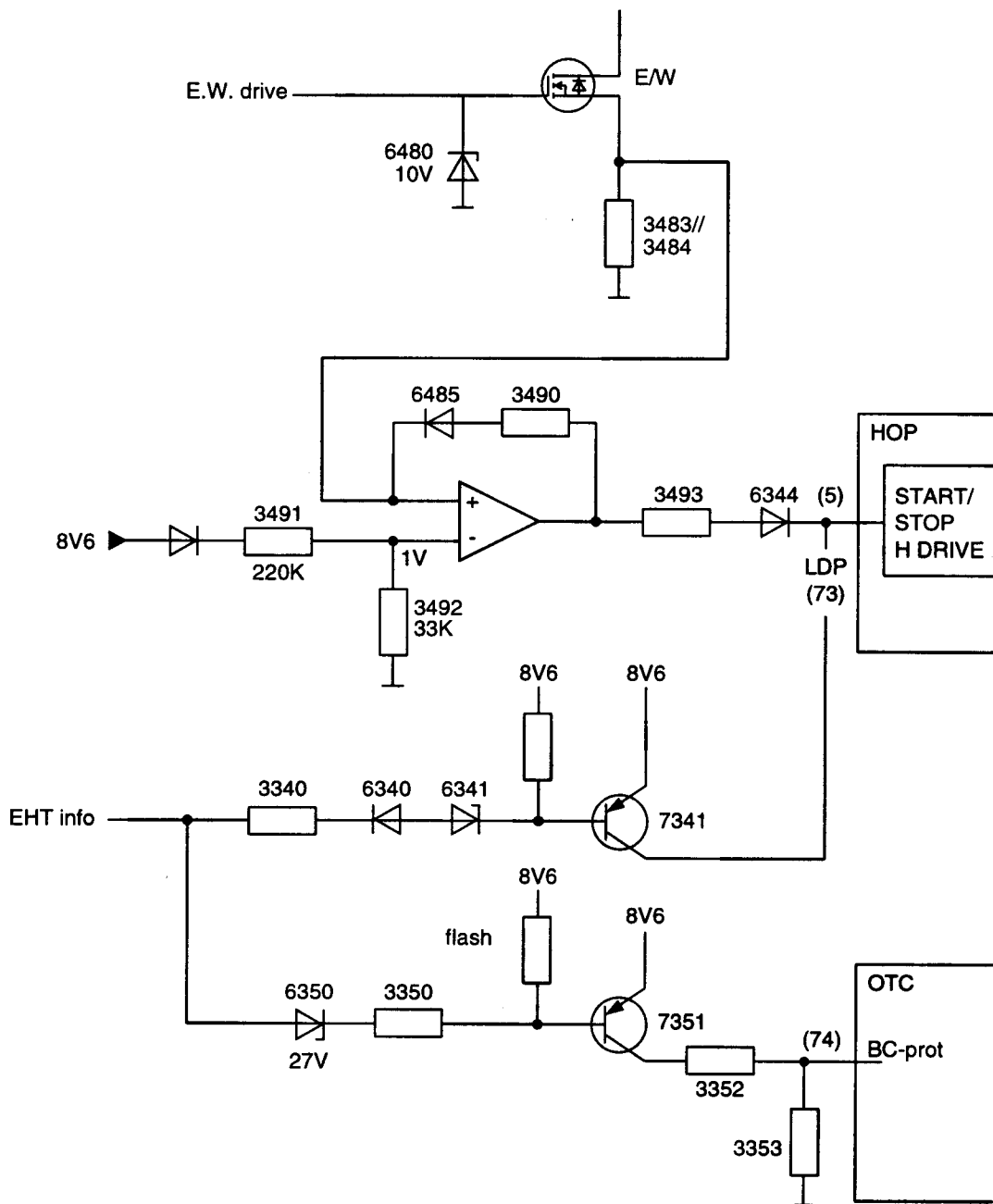
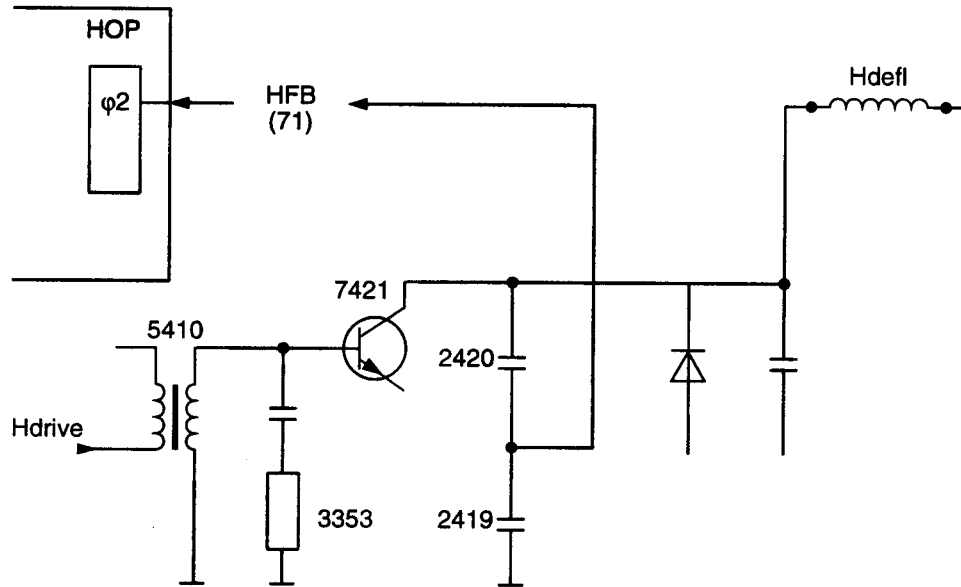


Figure 5-8

HFB horizontal fly-back



VFB vertical fly-back

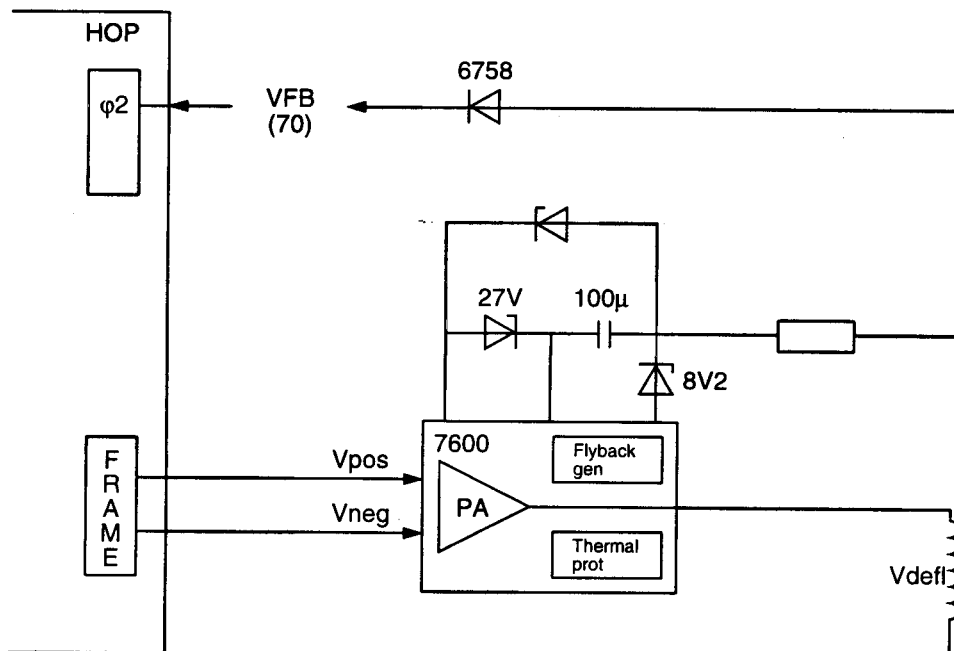


Figure 5-9

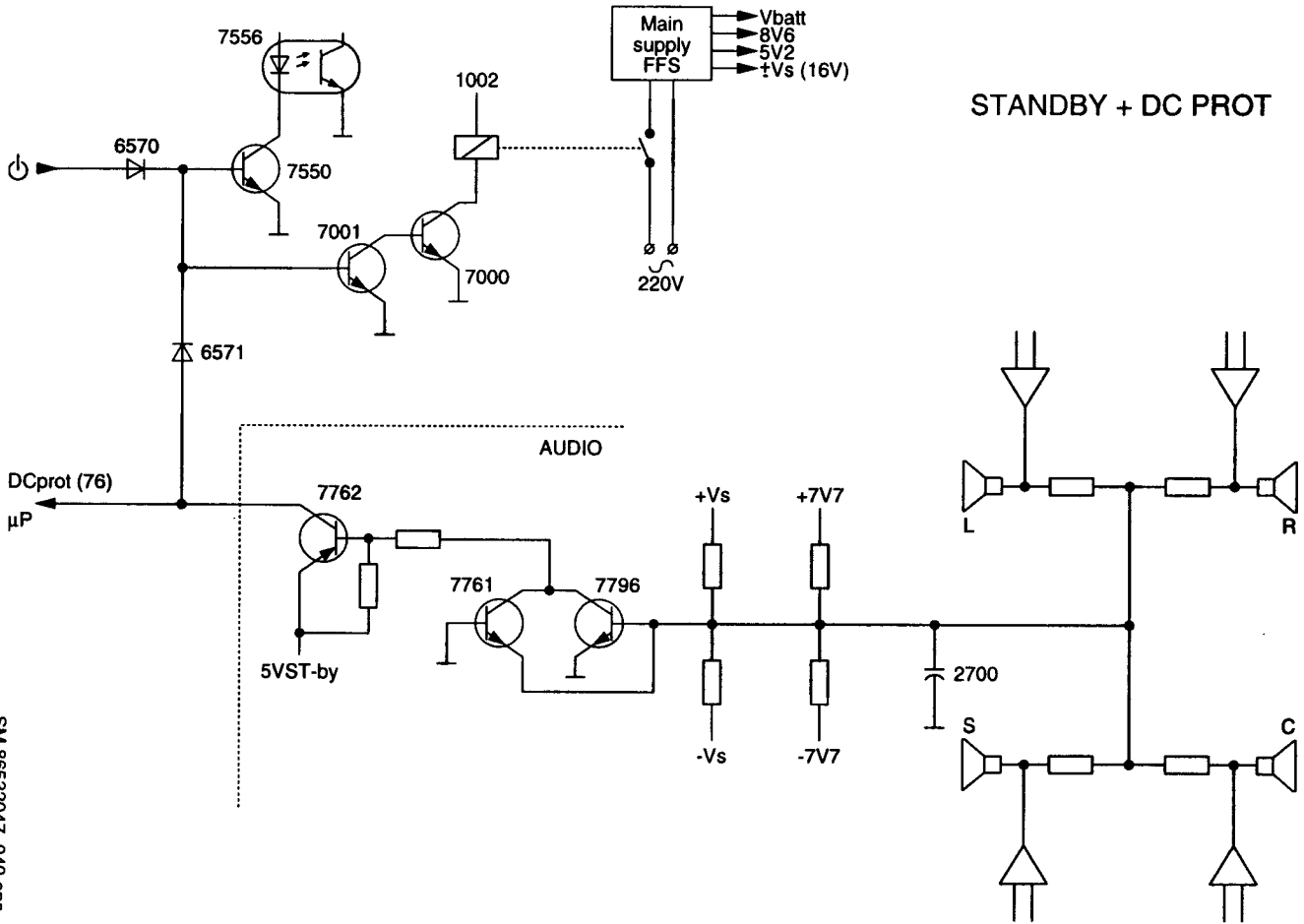
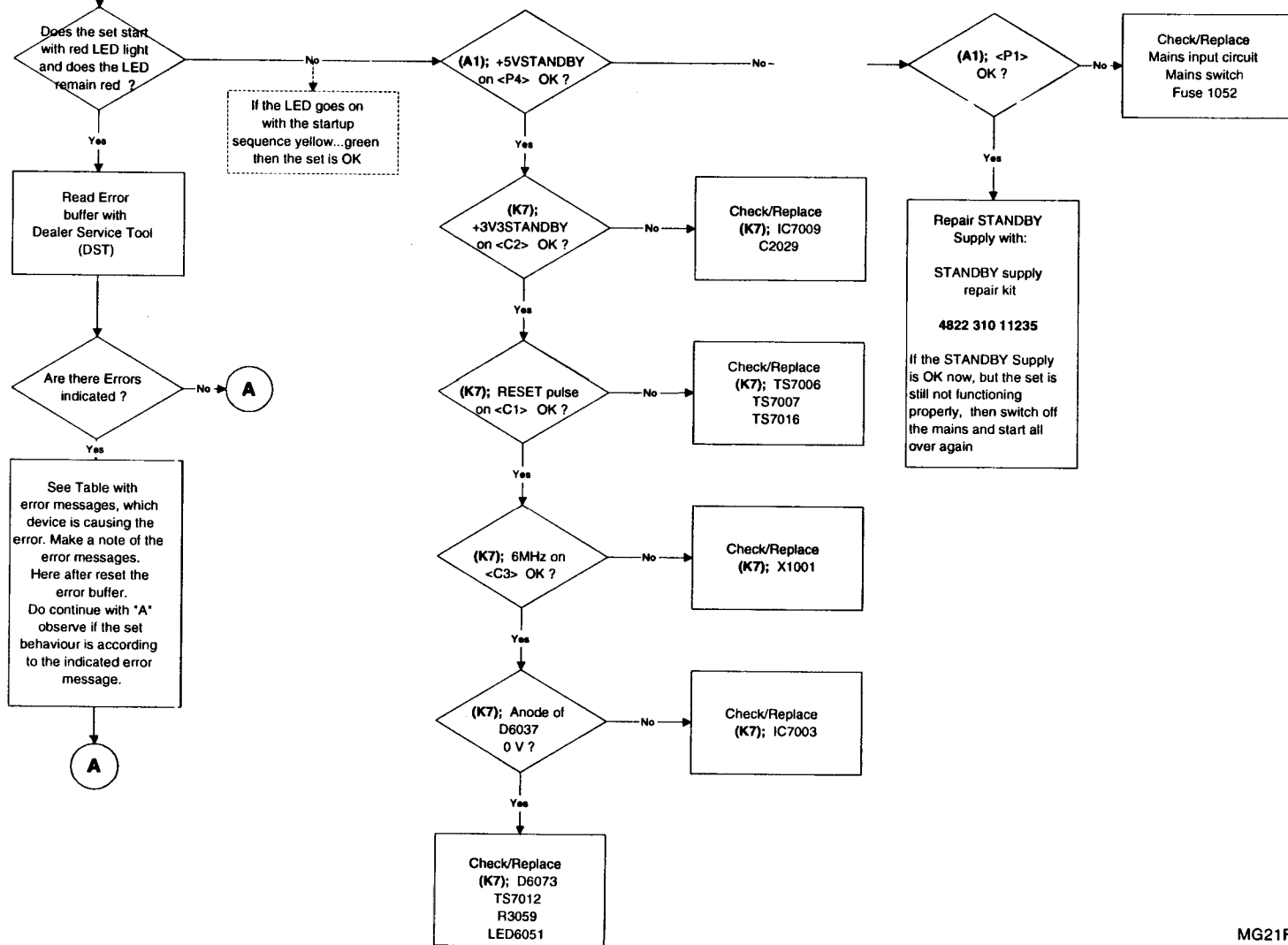


Figure 5-10

SM 86532047_040.eps
290798

START

Connect a pattern generator to the aerial input.
Set Patt.gen. to 475,25 MHz, colourbar, stereosound, PAL B/G (for France SECAM L).
Put Mainsswitch : on
In normal conditions the set will start with the sequence :
red LED...yellow LED...green LED.
Then after few seconds sound and picture will appear



Note:

(K1) means Drawing K1
<F11> means Test point F11

MG21FFT1.VSD

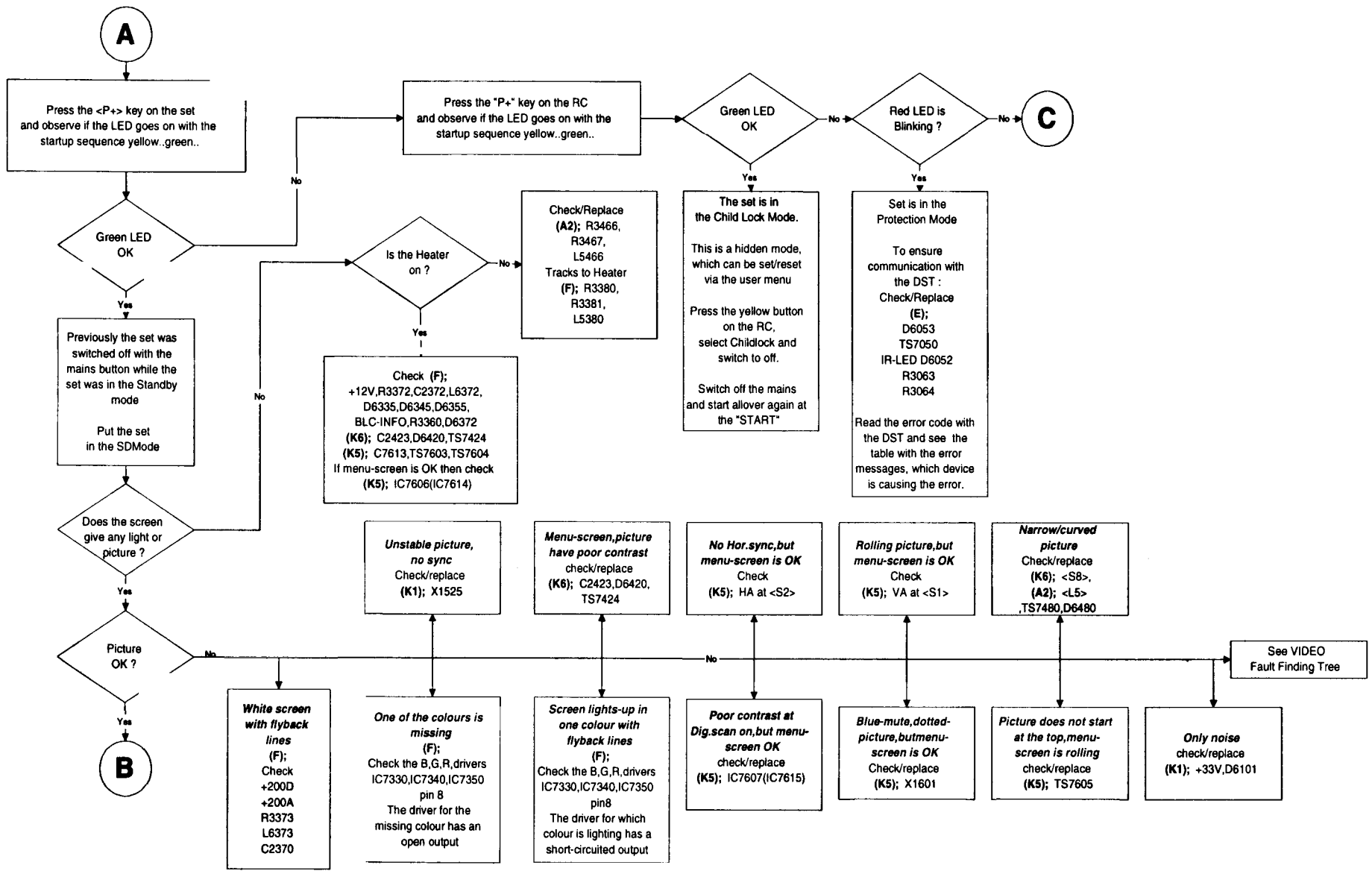
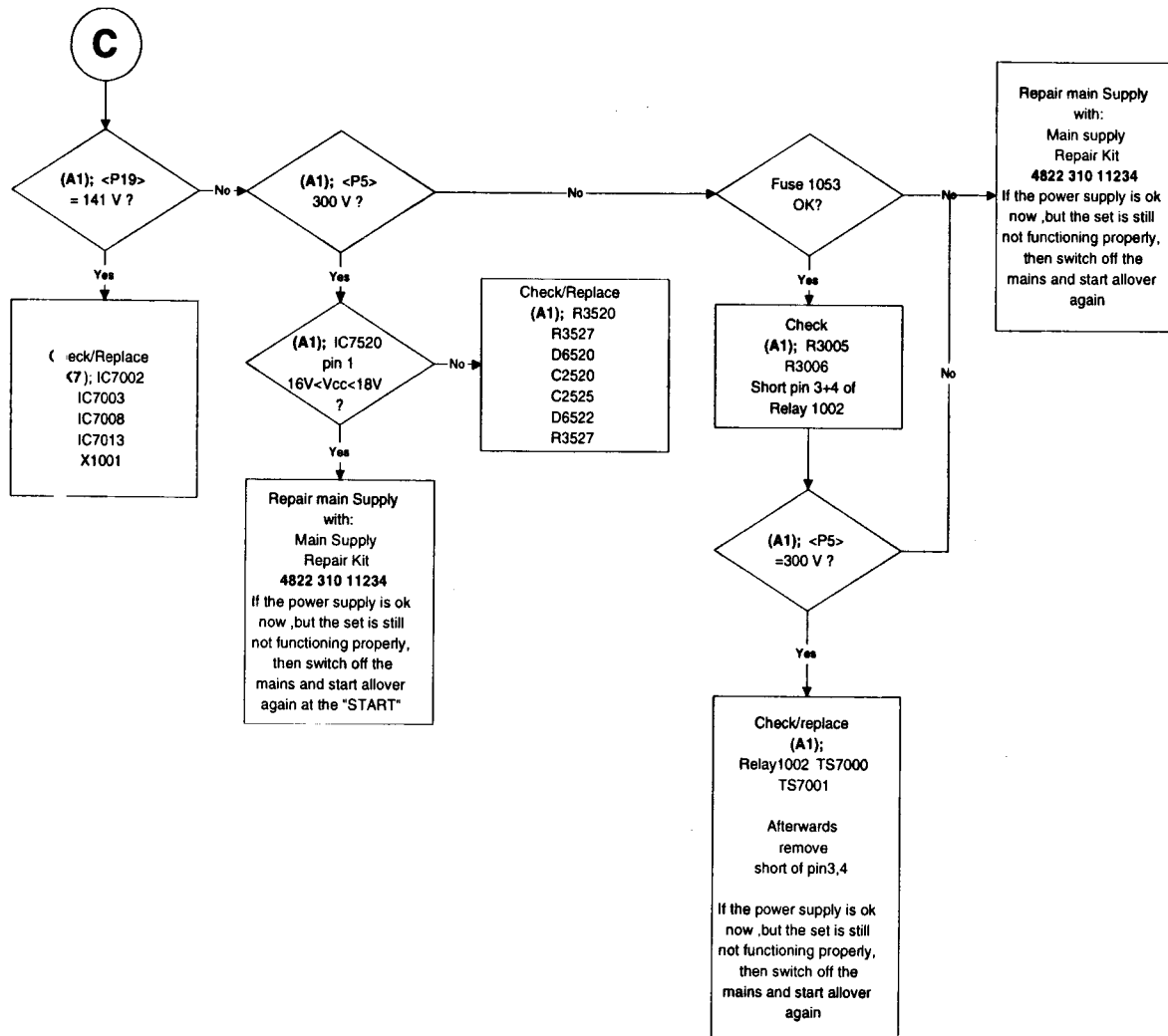


Figure 5-12



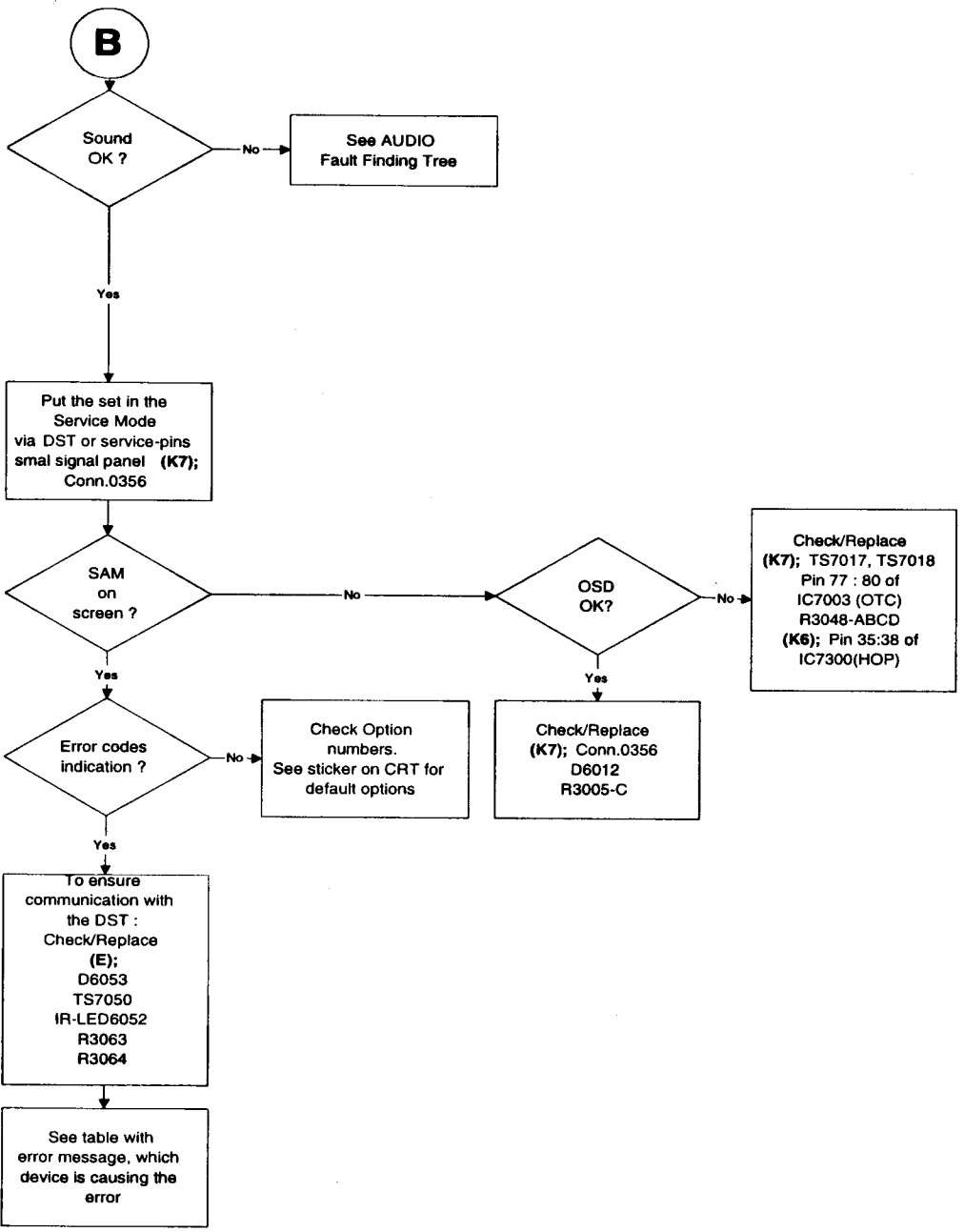


Figure 5-14

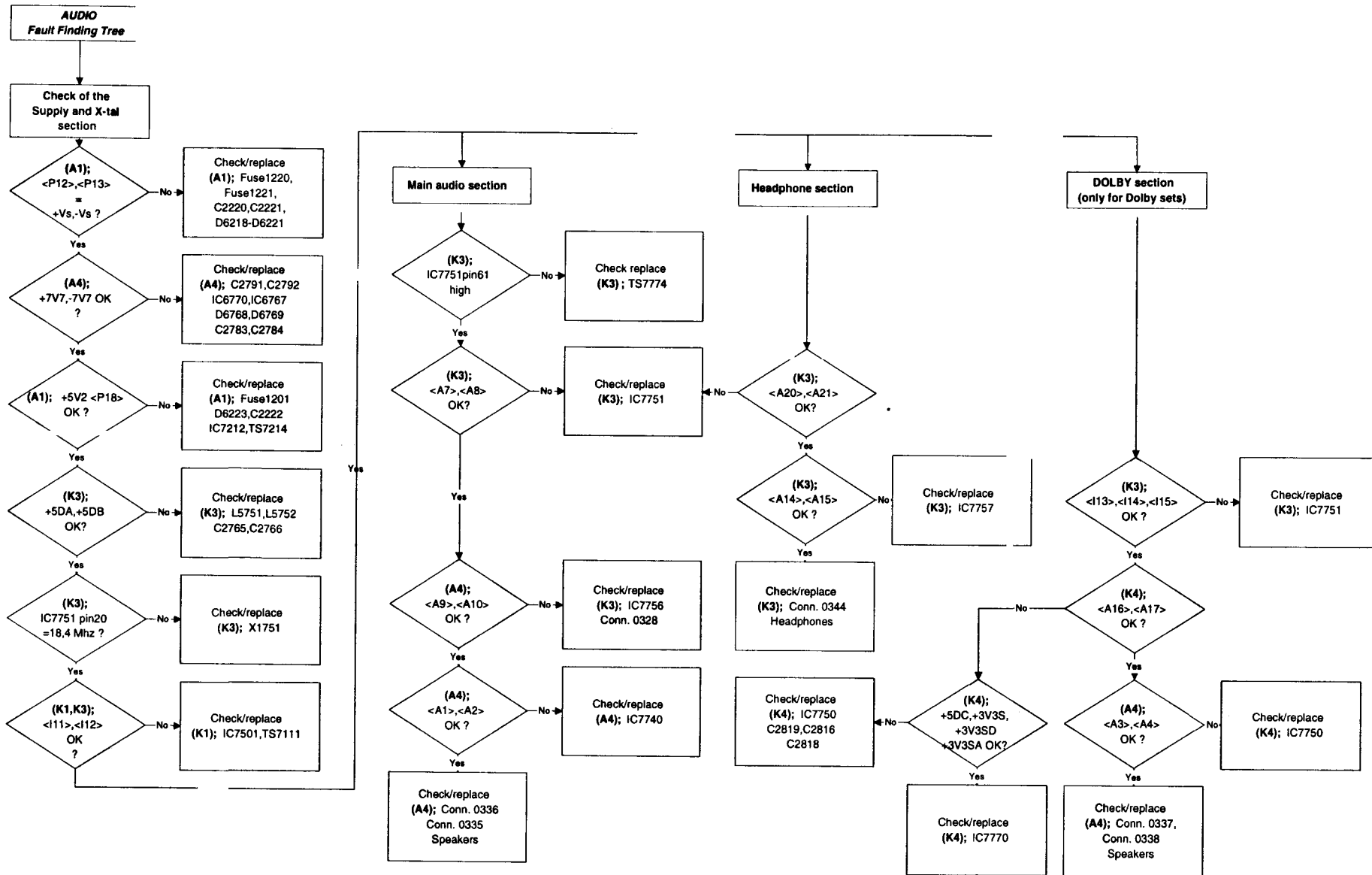
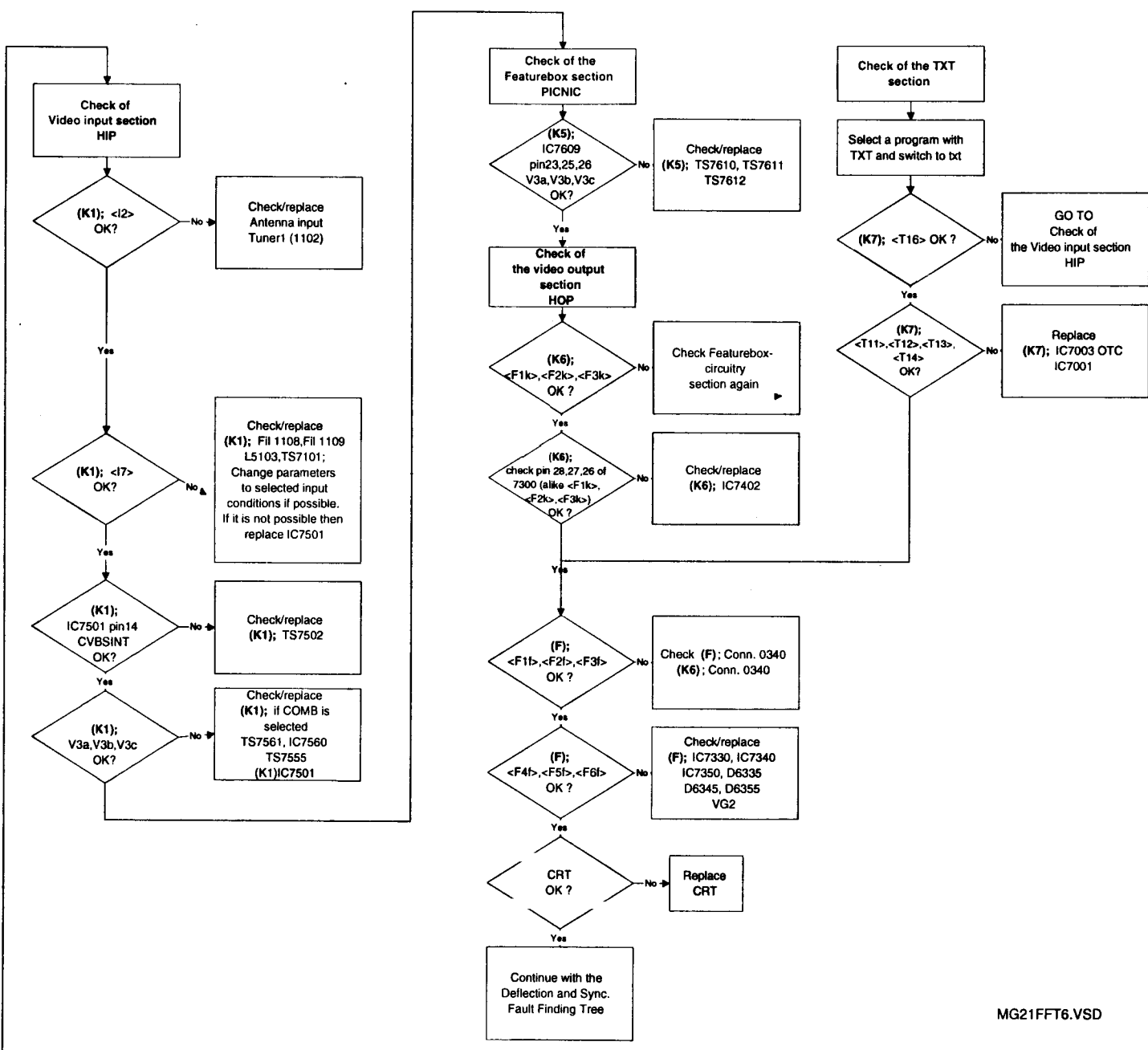
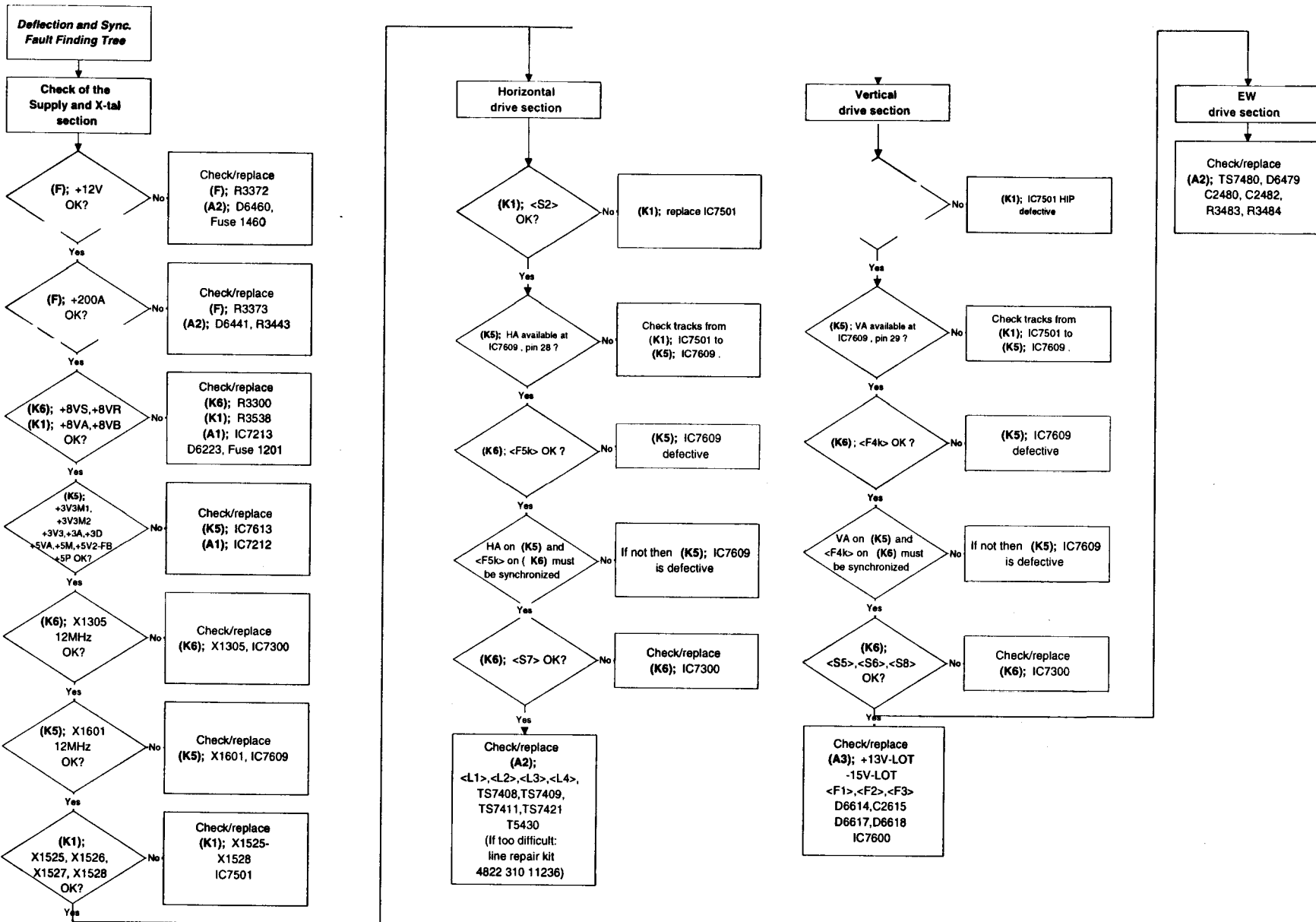


Figure 5-15



MG21FFT6.VSD

Figure 5-16



8.1 General alignment conditions

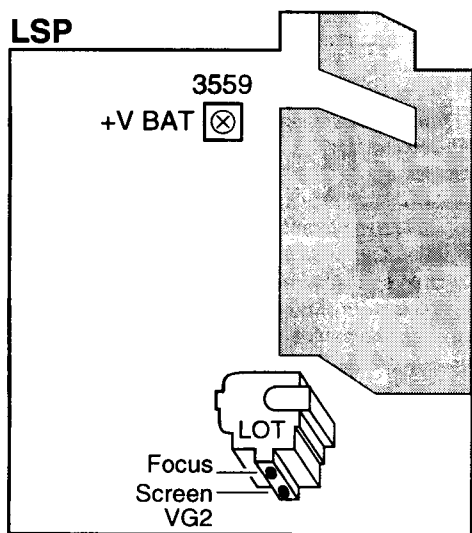
All electrical alignments should be made under the following conditions:

- Power supply voltage: 220-240V \pm 10%; 50-60 Hz \pm 5%
- Warm-up time >10 minutes
- Voltages and oscillograms are measured in relation to tuner earth (with exception to the voltages on the primary side - of the power supply). Never use the cooling fins/ plates as ground.
- Test probe: Ri > 10 MOHM, Ci < 20 pF.

8.2 Alignments on the large signal panel (LSP)

+141V (VBAT) supply voltage

Connect a voltmeter across C2569 (diagram A1, +VBAT). Switch on the set. Using potentiometer R3559 (diagram A1) adjust the VBAT supply voltage to +141V \pm 0V5. (see fig. 8.1)



CL 86532057_004b.A1
240798

Figure 8-1

Focusing

Tune the set to a cross hatch test-pattern. Adjust the focus potentiometer (diagram A1, upper knob on the LOT) for an overall optimum focusing of the picture.

Vg2 adjustment

Elucidation: In the frame blanking period of the R,G and B signals applied to the CRT, alternately per frame two measuring pulses with different DC levels are inserted by the "HOP" video processor IC7300. In one frame blanking a pulse is inserted used as reference for the Vg2 adjustment and in the next frame blanking a pulse is inserted used as reference for the internal white "D" adjustment. For the Vg2 adjustment the pulse with the highest DC-level is used.

Put the set in the SDM mode (via the <default> button on the DST, or via short circuiting the SDM pins 2 and 3 of connector 0356 on the SSP (diagram K7).

Insert a black test-pattern signal (carrier 475.25 MHz) to the tuner input.

Connect an oscilloscope (position 50V/Div DC and 2ms/Div) alternately to the CRT cathodes (red pin 8, green pin

6, blue pin 11) and measure for each cathode the DC level of the measuring pulse (see elucidation above and fig. 8.2) and write down each value. Remark: Trigger the scope extern via a CVBS signal (for instance via pin 19 of the scart1 connection).

- Adjust the VG2 potentiometer (fig. 8.1, lower knob on the LOT) so that the measuring pulse with the highest noted level is on 160V level.

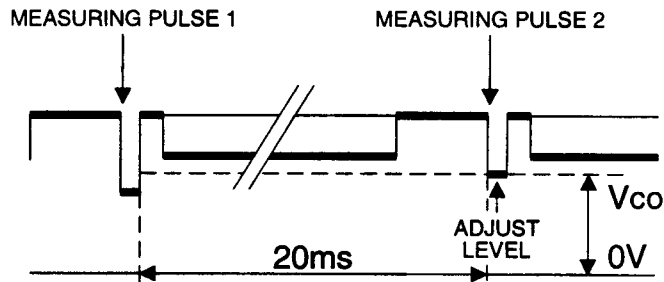
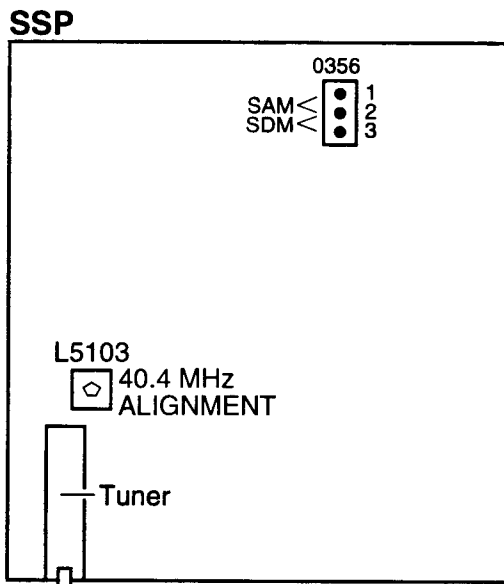


Figure 8-2

8.3 Alignments on the small signal panel (SSP)

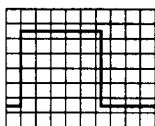
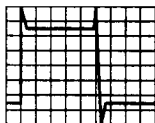
8.3.1 40.4 MHz neighbour-channel sound trap

- Tune to a checker board test-pattern (system BG or relevant system - and carrier frequency of 475.25 MHz).
- Connect an oscilloscope (trigger line frequent) to pin 19 (CVBS out) of the scart1 connection.
- Turn the core of L5103 (diagram K1) completely downwards. (see fig. 8.3)
- Turn the core upwards till under and overshoot arise at the black/white and white/black transitions in the video signal. (see fig. 8.4)
- Turn the core downwards again till above mentioned under and overshoot is just disappeared.



CL 86532057_004a.A1
240798

Figure 8-3



CL 86532057_006.AI
170798

Figure 8-4

8.4 Alignments needing SAM-mode + measuring equipment

(these alignments could be of interest when ICs (7501, TDA9320H), or the EAROM (7008, ST24E16) are exchanged on the SSP)

8.4.1 'IF AFC' (navigation to this menu item via Alignment --> General--> IF AFC)

Supply via a Service generator (e.g. PM5518) a TV-signal, with a signal-strength of about 1 mV. Preferable this signal is a multiburst signal. Frequency 475.25 Mhz. Use BG if possible, otherwise match the system of your generator with the received signal in the set. In this procedure Servicer will be asked to swap sometimes from Install-menu to Service Alignment Menu. Procedure how to check correct alignment:

- First set frequency TV-set to 475 Mhz in 'search-line' of Manual Installation Menu
- IF frequency-value in 'Fine Tune'-line between 475.18 and 475.31, you do not need to re-align AFC-value as mentioned above (SAM-menu)
- IF this is NOT the case, decrease 'IF AFC'-value (in SAM-menu) if frequency on 'Fine-tune'-line was lower than 475.18, or increase 'IF AFC'-value if frequency on 'Fine-tune'-line was higher than 475.31. (initially first a 'IF AFC'-alignment can be done, making the multiburst signal flat. This signal can be measured at pin 19 of scart 1. This is however not accurate enough to optimise the 'IF AFC'.

Alignment procedure:

- set 'IF AFC'-value in SAM
- store in SAM this setting
- go to manual install menu
- set frequency to 475
- read in 'Fine tune'-line how set responds
- if this value is between 475.18 and 475.31 then OK, otherwise proceed alignment by setting other 'IF AFC'-setting

Service-tip:

If you do not trust the accuracy of the frequency of your Service-generator first 'measure' with 'Fine tune'-line (manual install-menu) of a good set your Service generator.

8.4.2 'Tuner AGC'

Supply a TV-signal, with a frequency of 475.25 Mhz and a signal-strength of about 2 mV.

Measure the DC-voltage on pin 1 of the Tuner. (item 1102) With the 'Tuner AGC'-alignment in the SAM-menu, this voltage

can be aligned. Alignment is correct when DC-voltage is just below 3.8 V

8.5 Alignments and settings in the Service Alignment Menu

8.5.1 General

To switch to SAM-mode you have to do the following:

briefly shorting the service pins 'SERVICE ALIGNMENT MODE' on the frontside of the SSP (pins 1 and 2 of connector 0356) or: pressing the <align>- key on the Dealer Service Tool (DST) (RC7150), followed by keying in the password "3140" and then pressing the <OK> key.

The Service Alignment Mode menu will now appear on the screen. The following information is now displayed:

1. The software date ('Date') and version ('ID.') of the ROM. (Example: MG21E11.0_01381) (this software-code stands for MG21 (chassis), E for Europe, 1-language, 1.0 software version, xxxxx latest 5 digits of 12nc code software)
2. The accumulated total of operation hours ('Operation Hours').
3. ('Errors') followed by maximal 10 errors. The most recent error is displayed at the upper left. For explanation errors see chapter 5
4. ('Defect. Module'). Here the module that generates the error is displayed. (if there are multiple errors in the buffer that have not all been generated by a single module, there is probably another defect. The message 'Unknown' will then be displayed here).
5. ('Reset Error Buffer'). The error buffer can be resetted by pressing the 'cursor right' key.
6. ('Functional Test'). All devices are tested via the > key. Eventual errors are displayed in the error buffer. The error buffer is not erased, the contents return when the Functional Test is terminated.
7. ('Alignments'). This enables the Alignments sub-menu to be called up.

The following alignments can be selected:

'General':

- Alignment of 'Drive'
- 'Peak White Limiter'
- 'Luminance Delays'
- 'EHT Compensation'
- 'Soft Clipper'
- 'Luma Gain'
- 'IF AFC'
- 'Tuner AGC'

'Normal Geometry':

- General geometry alignments.

'Super wide geometry': (only valid for widescreen sets)

- Geometry alignments for the 'Panorama' position in 16:9 sets. (only valid for wide screen sets; alignments can be performed, however it is better to set values as mentioned below)

'Options':

- Setting the initialisation codes in the set via text.

'Option number':

All options together, expressed in two long numbers. The original factory setting for these numbers can be found on the picture tube sticker on the inside of the set.

'Store':

- Store all alignments.

'Store default settings':

Reset all values in the EAROM to pre-programmed values, related to picture and sound settings (has the same effect as replacing the EAROM with a new one, only here also the programs are gone).

The alignments are explained now in the sequence of the sub-menu:

8.5.2 General alignments in Service Alignment Menu:

Once all alignments/settings have been completed the item 'Store' must be selected to record all the values in the permanent memory of the set.

If the option codes have been changed and stored, the set has to be switched on and off using the mains switch to activate the new settings (when switching on and off via Standby, the option code settings are NOT read by the microprocessor).

If an empty EAROM (permanent memory) is detected, all settings are set to pre-programmed default (standard) values.

A built-in test pattern can be called up in various sub-menus. The test pattern generator can be switched on using the item 'Test pattern on/off'. The test pattern only appears AFTER the specific alignment has been selected. The test patterns are generated by the teletext-IC.

'Drive'

Tint-settings:

Set the white levels for the three tint-settings 'Normal' . 'Warm' and 'Cool' is calculated by the processor then ('Warm': R+4, B-7 and 'Cool': R-3, B+3) For 4:3 picture tubes (25" and 29") the next values must be entered:

	Cool	Normal	Warm
R	22	25	29
G	20	20	20
B	17	14	7

For wide screen picture tubes (24", 28" and 32") the next values must be entered:

	Cool	Normal	Warm
R	22	25	29
G	20	20	20
B	17	14	7

'Cathode':

This alignment, must also be covered by a table with values for all picture-tube sizes. For 4:3 picture tubes (25" and 29") the next value must be entered: 5 For wide screen picture tubes (24", 28" and 32") the next values must be entered:

'Peak White Limiter'

Dependent of the picture-tube size (25", 29", and 24"/28"/32" widescreen tubes) the next value of the table must be

entered:

24"	10
25"	10
28"	10
29"	10
32"	10

'Luminance delays'

With the 'Luminance delays' alignment the luminance information is placed on the chrominance information (brightness is pushed onto the colour). Use a colour bar/ grey scale pattern as test signal.

Lum. Delay Pal: Apply a PAL colour bar/greyscale pattern as a test signal. Adjust 'Lum. Delay Pal' until the transients of the colour part and black and white part of the test pattern are at the same position.

Lum. Delay Secam: Apply a SECAM colour bar/greyscale pattern as a test signal. Adjust 'Lum. Delay Pal' until the transients of the colour part and black and white part of the test pattern are at the same position.

Lum. Delay Bypass: Apply a NTSC colour bar/greyscale pattern as a test signal. Adjust 'Lum. Delay Bypass' until the transients of the colour part and black and white part of the test pattern are at the same position.

'EHT compensation'

Fixed value: 0

'Soft clipper'

Fixed setting: 'Pwl+0%'

'Luma gain'

Fixed value:

'IF AFC'

See chapter 8.4.1. The SAM-mode is needed to make alignment, a test generator to make signal, an oscilloscope to measure at scart-output and the Install-menu to check finetuning-value

'Tuner AGC'

See chapter 8.4.2. The SAM-mode is needed to make alignment, a test generator to make signal, a DC-Voltmeter to measure at pin 1 of Tuner.

8.5.3 Geometry alignments 'Normal Geometry' in the Service Alignment Menu

Vertical amplitude and centring

Select 'Test Pattern on'

Set the begin conditions for 4:3 sets (25", 28" and 29"):

- Vertical S-correction value on 13 for 29"-set and on 19 for the 25"- and 28"-sets.

The boundary-stripes of the test pattern should be positioned on the edge of the picturetube.

Set the begin conditions for 16:9 sets (24", 28", 32"):

- Vertical S-correction value on 7 for 24"-set, on 8 for the 28" and on 7 for the 32"-set.

The boundary-stripes of the test pattern should be positioned on the edge of the picturetube.

1. Align 'Vslope' (when aligning the below half of the picture is blanked). The middle line of the test pattern must be matched with the edge of this blanking/picture transient in the middle of the picture. Pushing > button again, gives you previous menu again. (This alignment is meant to align the zero-crossing of the frame-deflection to the mechanical middle of the picture tube)
2. Align the vertical amplitude using 'V amplitude' so that the test pattern is fully visible.
3. Align the vertical centring using 'V shift' so that the test pattern is located vertically in the middle.
4. If necessary repeat the alignment of 'V amplitude', in order to get 'V shift' OK.

Vertical S correction

Select 'Test pattern on'.

Align the vertical S correction using 'V S-correction' so that the vertical amplitude at the top of the picture is equal to the amplitude in the middle of the picture.

Horizontal centring and amplitude

Select 'Test pattern on'.

1. Using 'H amplitude' align the horizontal amplitude so that the entire test pattern is visible.
2. Use an external test signal, with a centre-reference from a service-generator. Use 'H shift' to align the picture horizontally in the middle.
3. Repeat the 'H amplitude' alignment if necessary.

East/west alignment

Select 'Test pattern on'.

1. Use 'East/West Parabola' to align the vertical lines until straight.
2. Use 'East/West Corner' to align the vertical lines in the corners until straight.
3. Use 'East/West Trapezium' to align for a rectangular
4. Use 'Horizontal Parallelogram' to align for straight vertical lines if necessary.
5. If necessary select 'East/West Corner' and align as required.
6. Repeat steps 1 to 4 if necessary.

8.5.4 Geometry alignments 'Super wide geometry' in the Service Alignment Menu

Only applicable to 16:9 sets

The header of this paragraph and also the menu's are misleading.

We only need to set the following values, if the normal geometry alignment has been performed correctly.

Vertical S correction: enter the value of normal geometry.

Horizontal amplitude: enter the value of normal geometry subtracted by 4.

East/west parabola: enter the value of normal geometry.

8.6 Option menu

Introduction

The microprocessor communicates with a large number of I²C-ICs in the set. To ensure good communication and make digital diagnosis possible, the microprocessor has to know which ICs have to be addressed. The presence of specific ICs or functions is made known by means of the option codes.

All options codes can be manipulated using both the option numbers and/or the Option menu.

All hardware related options are incorporated under the heading 'Options' of the 'Alignments' sub-menu of the 'Service Alignment Mode'.

All software related options that are incorporated under the heading 'Dealer Options' of the 'Service Alignment Mode', can also be reached directly via the <dealer>-button of the DST.

8.7 Dealer Options in the Service Alignment Mode

Menu-item	Subjects	Options	Physically in the set
Teletext	TXT	Yes	Teletext software feature on
		No	Teletext software feature off
Communication	Easylink	Yes	Project 50 (easylink) set
		No	No project 50 (easylink) set
Picture tube	CRT Type	4:3	4:3 picture tube
		16:9	16:9 picture tube
		only for 1 6:9: Picture Rotation	Yes
		No	Frame rotation circuitry not present on LSP (IC7440 diagram A3)
Video Repro Options	Feature box type	100Hz	IC7606 present on SSP (diagram K5)
		Digital Scan	IC7606 and IC7607 present on SSP (diagram K5)
	Combfiler	Yes	IC7560 present on SSP (diagram K1)
		No	IC7560 not present on SSP (diagram K1)
	Picnic AGC	Yes	In normal operation: Yes
		No	During 'Drive' alignments: No
TXT Dualscreen	Yes	TXT DualScreen software feature on	
	No	TXT DualScreen software feature off	
EPG Dualscreen	Yes	IC7013 present on the SSP (diagram K7)	
	No	IC7013 not present on the SSP (diagram K7)	
Source Selection	External 3	Yes	3rd EURO connector present
		No	No 3rd EURO connector present
Audio Repro	Acoustic system	Normal	Applicable for sets without subwoofer
		Enhanced	Applicable for sets with subwoofer
Miscellaneous	NextView	Yes	NextView present
		No	Nextview not present
	Heatsink Present	Yes	Heatsinks present on CRT/Scavem panel (diagram F)
No		Heatsinks not present on CRT/Scavem panel (diagram F)	

After the option(s) have been changed, they must be stored via the STORE command.

The new option is only active after the TV is switched off and then back on again using the mains switch (the EAROM is then read out again).

8.8 'Option number'

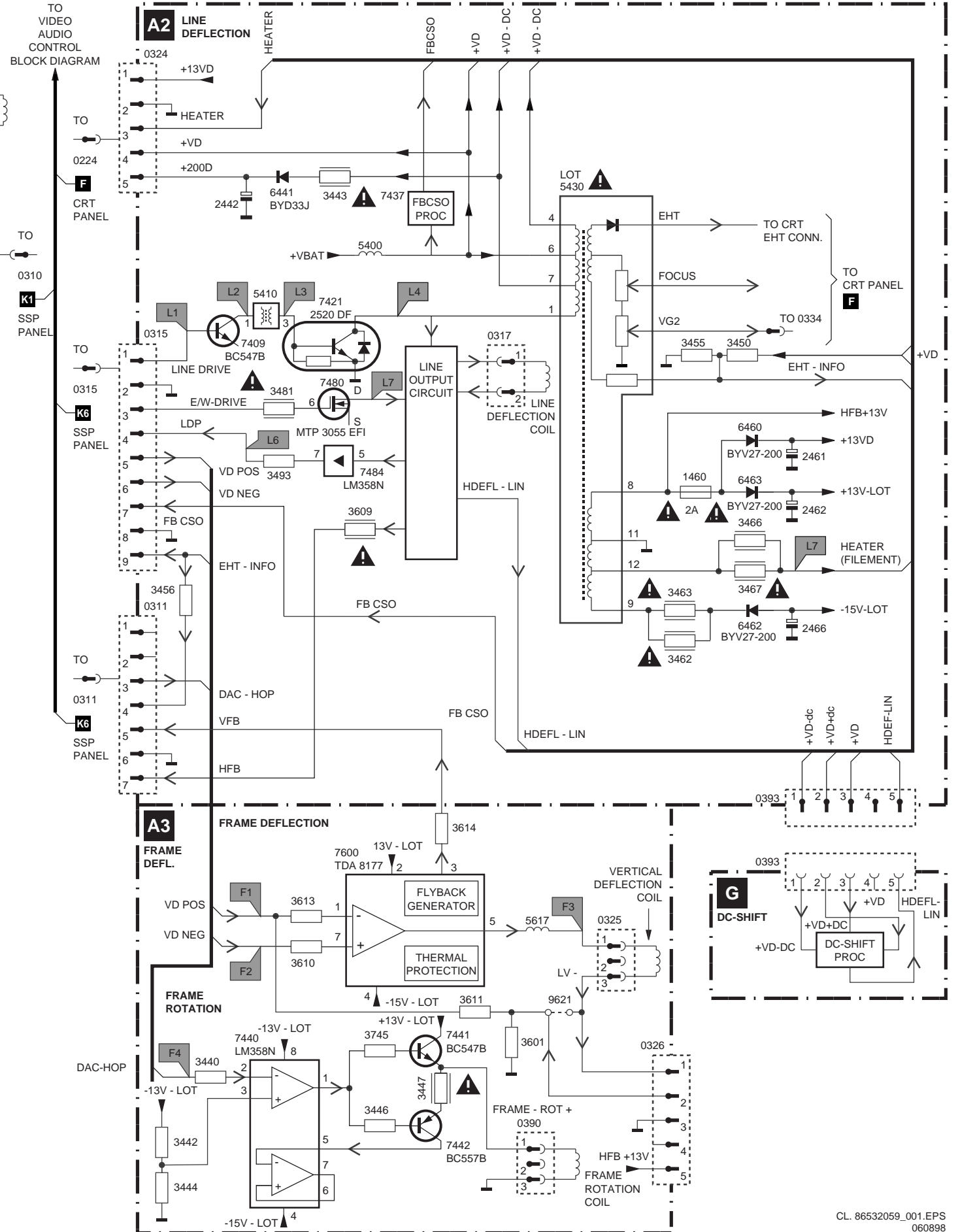
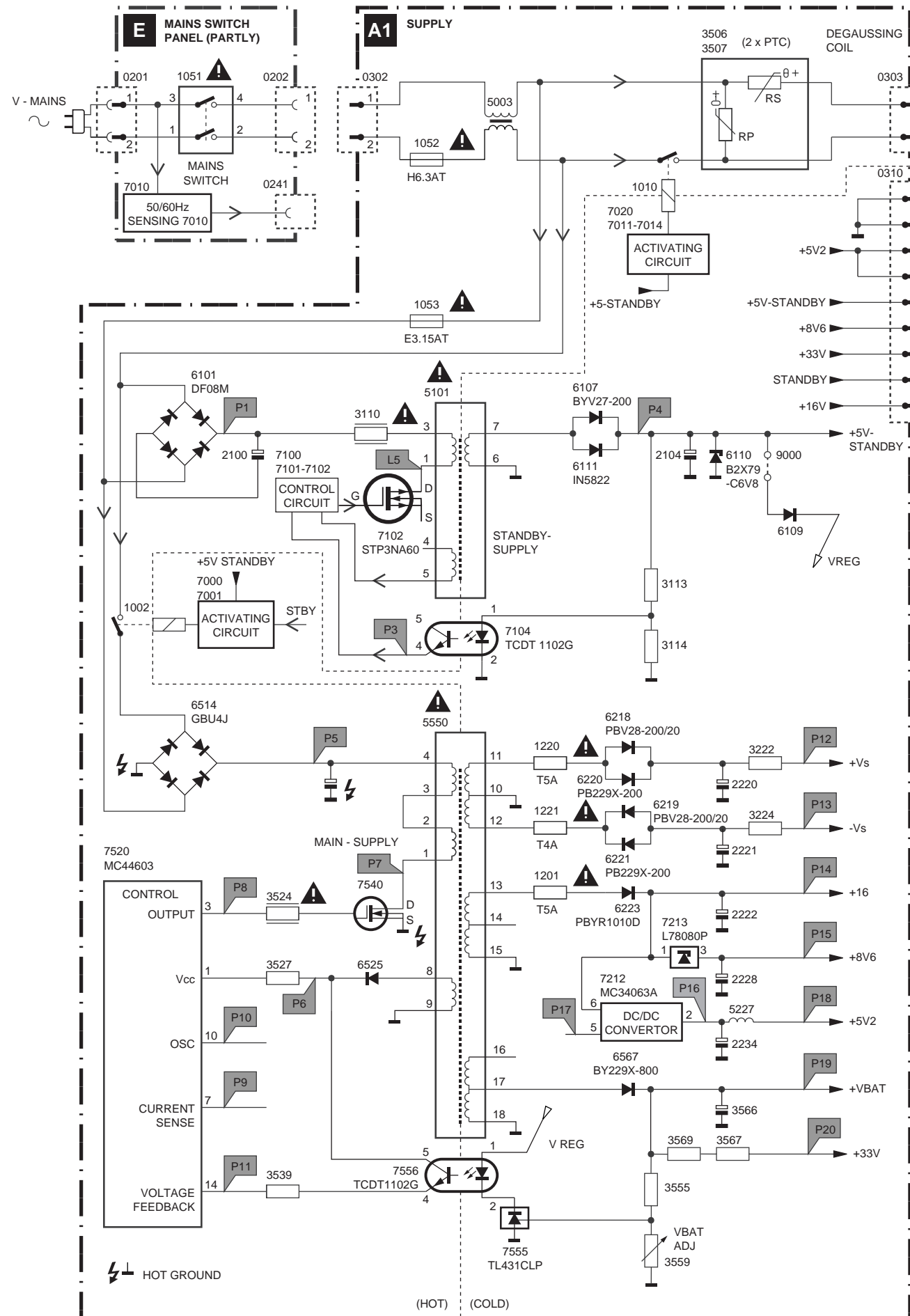
In case the EAROM has to be replaced, all the options will also require resetting. To be certain that the factory settings are reproduced exactly, both option numbers have to be set. These numbers can be found on a sticker on the picture tube.

Example: option number of 29PT8304/12 is:

00512 04352 04096 00016

04134 00001 00000 00000

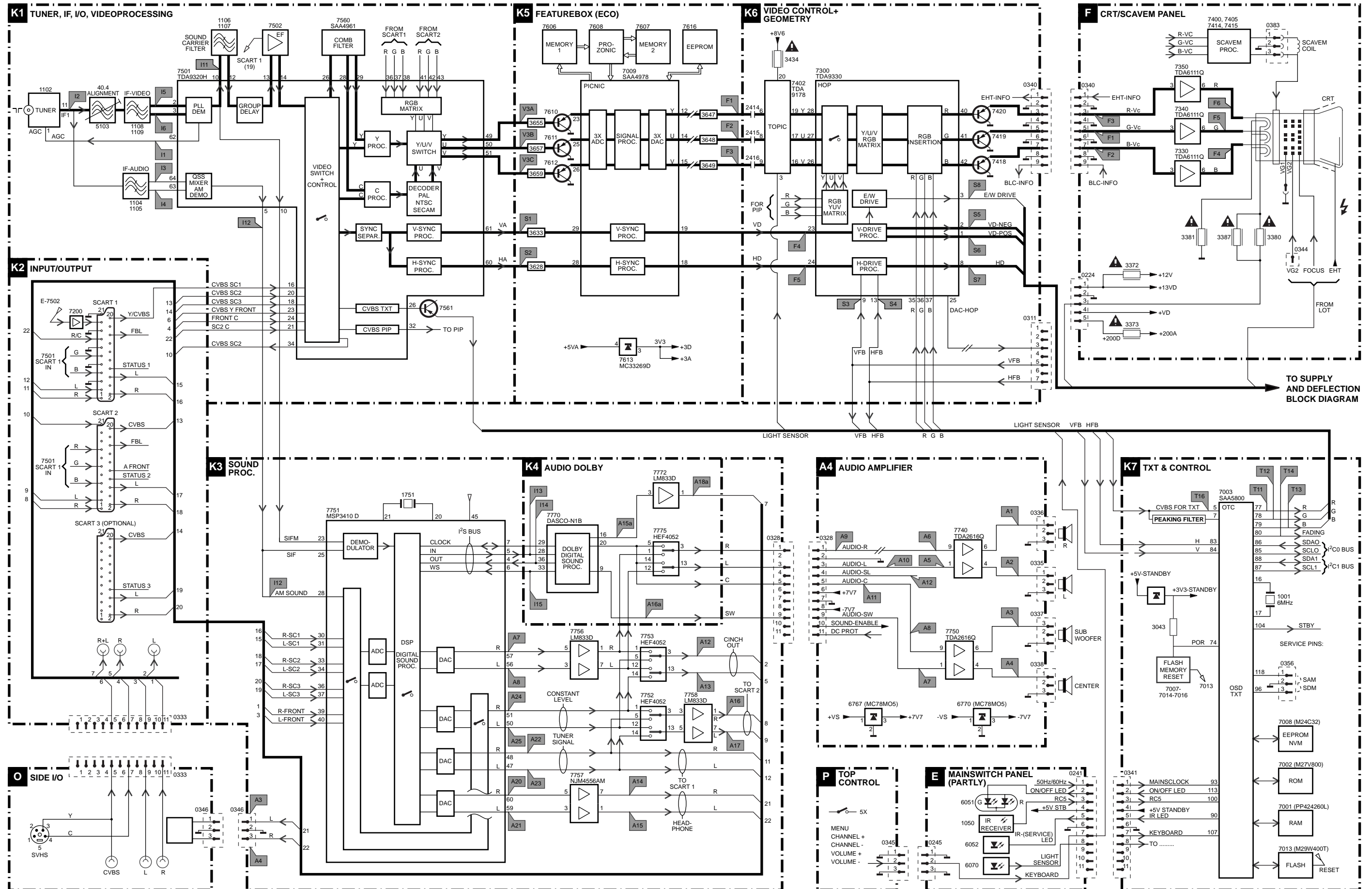
6 Block diagrams



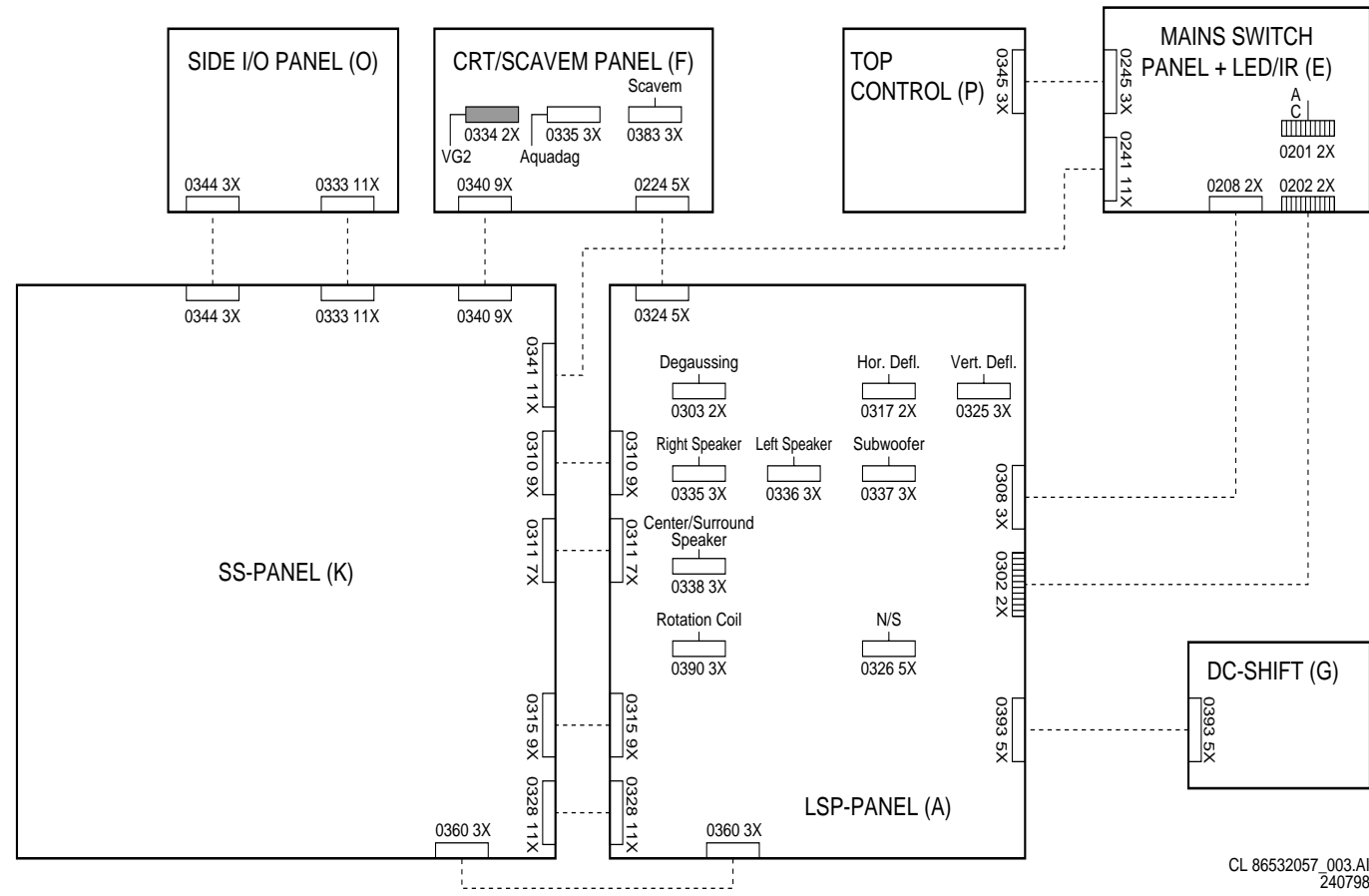
6 Block diagrams

MG2.1E

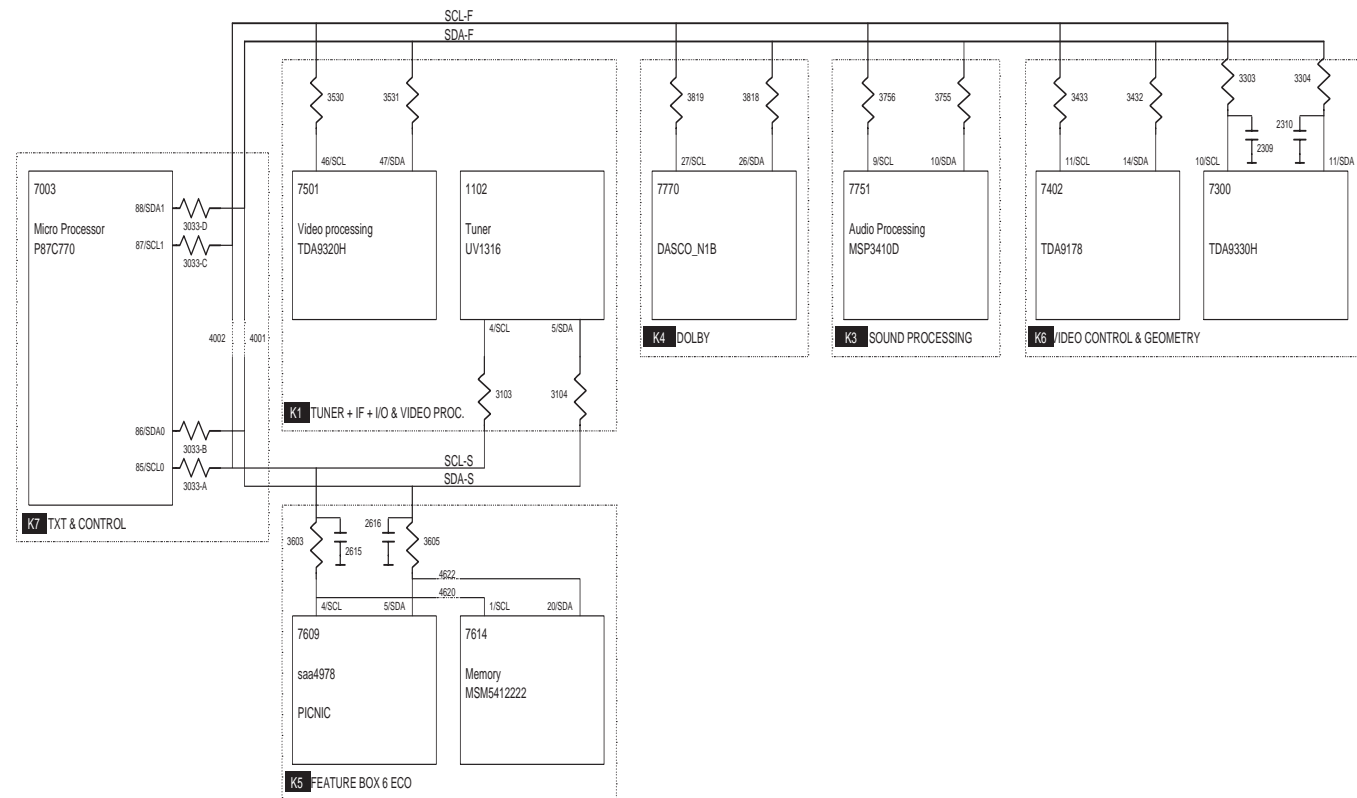
30



WIRING DIAGRAM MG2.1 E



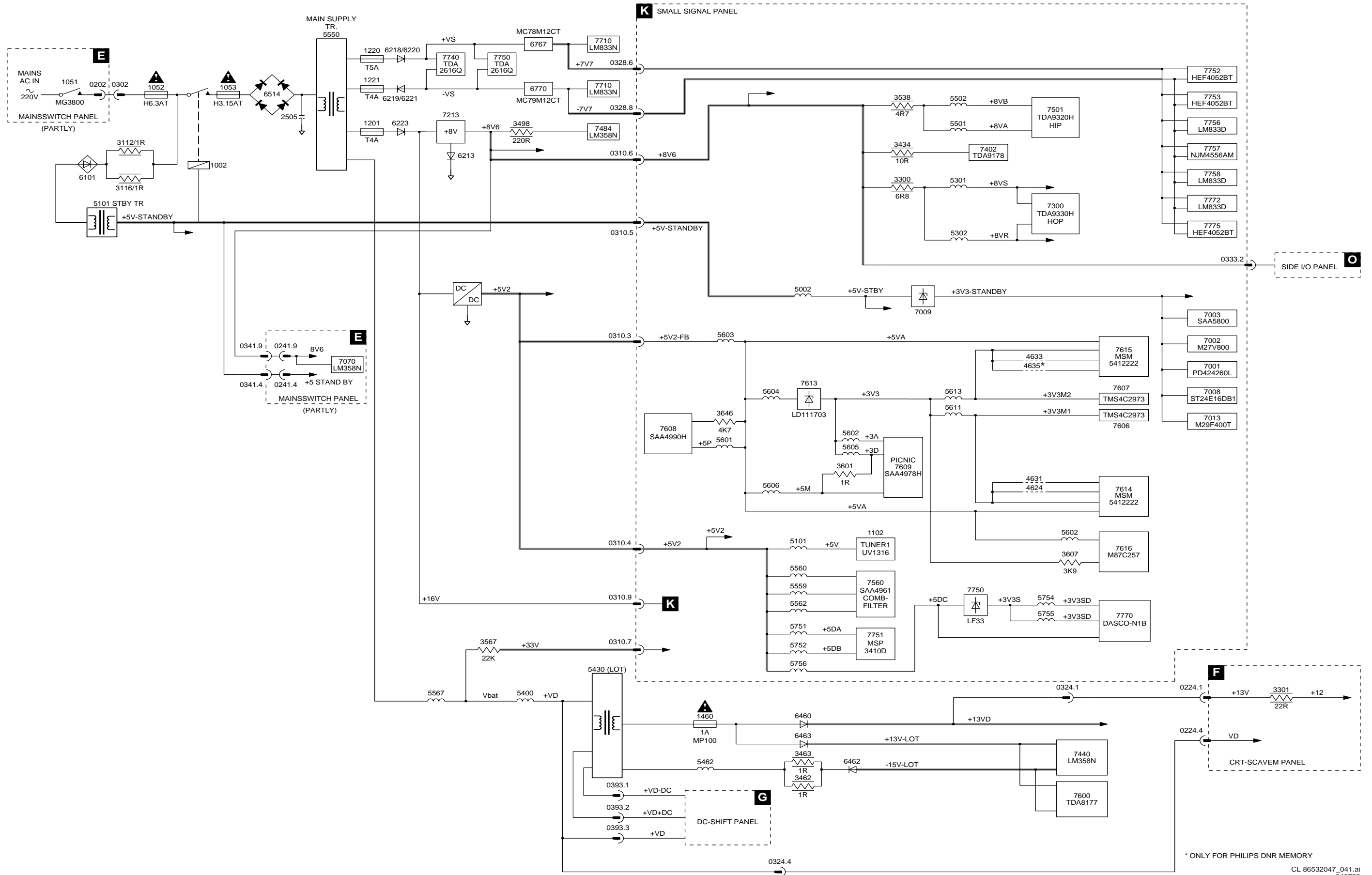
Overview I²C-ICs



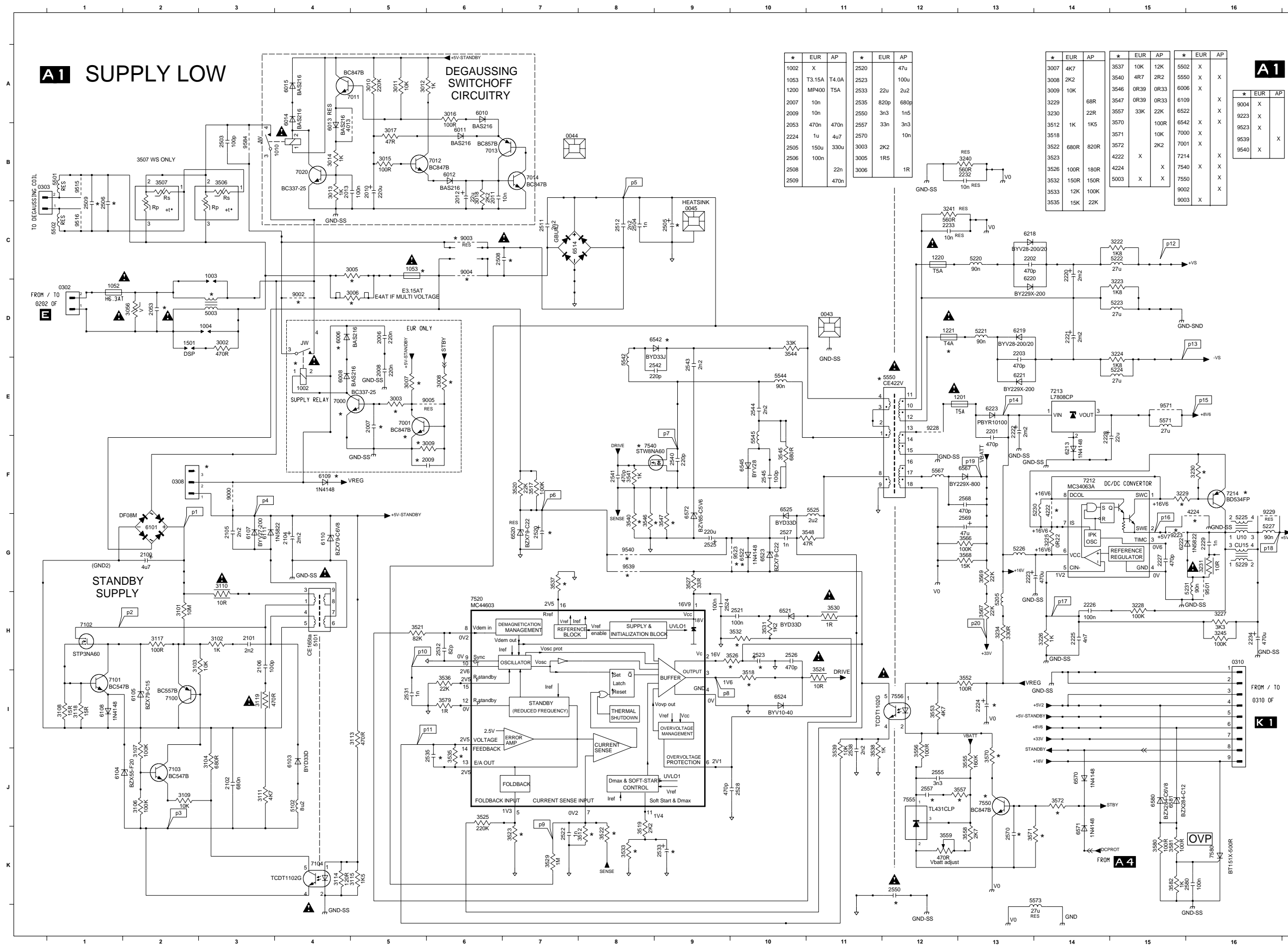
6 Block diagrams

MG2.1E

34



* ONLY FOR PHILIPS DNR MEMORY
CL 86532047_041.ai
240798



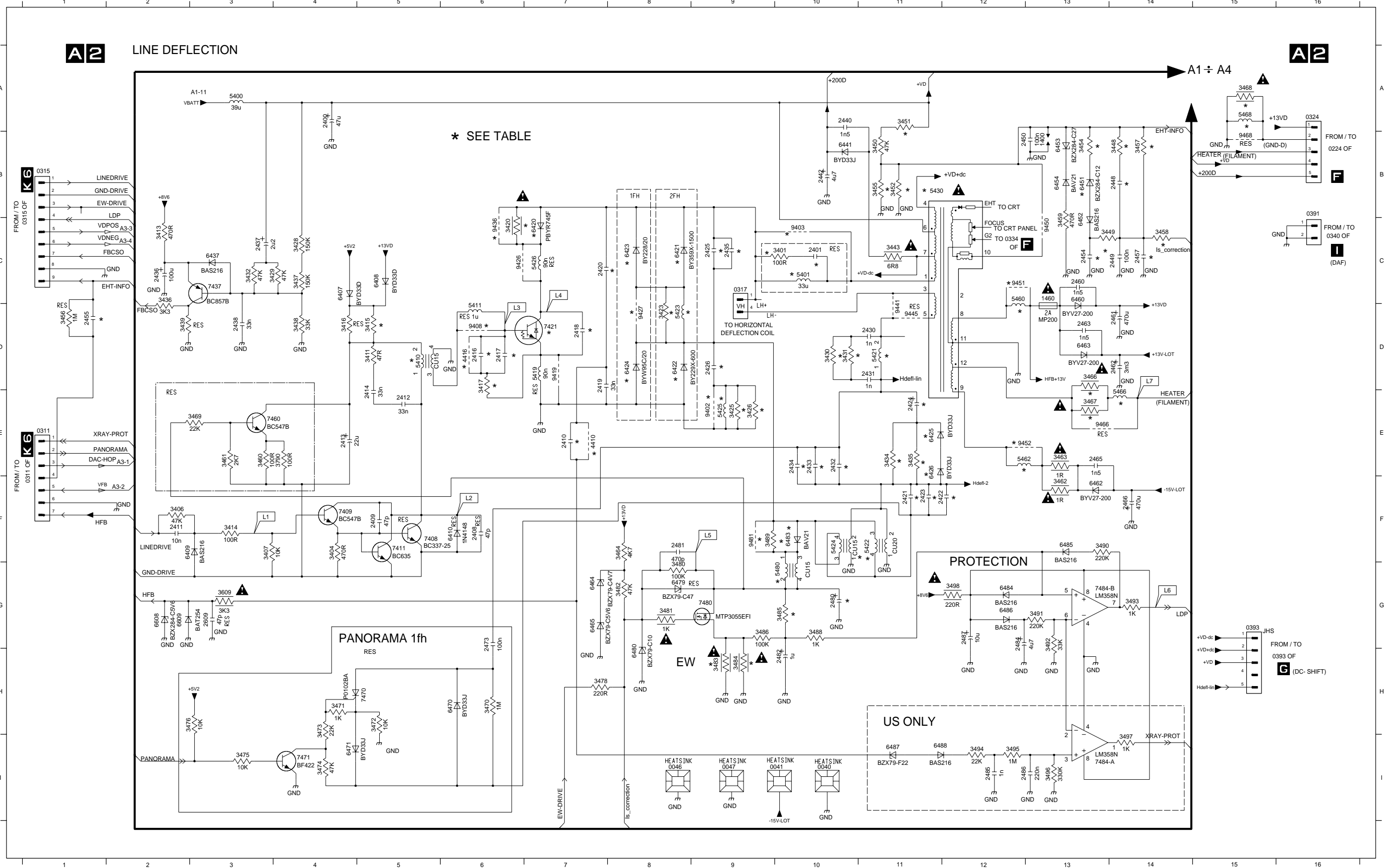
*	EUR	AP	*	EUR	AP	*	EUR	AP	*	EUR	AP	*	EUR	AP
1002	X		2520		47u	3537	10K	12K	5502	X	X			
1053	T3.15A	T4.0A	2523		100u	3540	4R7	2R2	5550	X	X			
1200	MP400	T5A	2533	22u	2u2	3546	0R39	0R33	6006	X	X			
2007	10n		2535	820p	680p	3547	0R39	0R33	6109	X	X			
2009	10n		2550	3n3	1n5	3557	33K	22K	6522	X	X			
2053	470n	470n	2557	33n	3n3	3570			6542	X	X			
2224	1u	4u7	2570		10n	3571			7000	X	X			
2505	150u	330u	3003	2K2		3572			7001	X	X			
2506	100n		3005	1R5		4222	X	X	7214	X	X			
2508		22n	3006	1R		4224	X	X	7540	X	X			
2509		470n				5003	X	X	7550	X	X			
									9002	X	X			
									9003	X	X			

*	EUR	AP
9004	X	
9223	X	
9523	X	
9539	X	
9540	X	

0043 D11	3114 K4	6110 G4
0044 B7	3115 K5	6111 G3
0045 C9	3117 H2	6213 F14
0302 D1	3118 I1	6218 C13
0303 B1	3119 I3	6219 D13
0308 F2	3222 C15	6220 D13
0310 H16	3223 D15	6221 E13
1002 E4	3224 D15	6222 G15
1003 C3	3225 G14	6223 E13
1004 D3	3226 H14	6514 C7
1010 B4	3227 H16	6520 G7
1052 D1	3228 H15	6521 H10
1053 C5	3229 F15	6522 G10
1201 E13	3230 F16	6523 G10
1220 C12	3231 G16	6524 F10
1221 D12	3234 H13	6525 F10
1501 D2	3240 B13	6542 D9
2006 D5	3241 C12	6545 F10
2007 E5	3242 H16	6567 F13
2008 E5	3506 B3	6570 J14
2009 F6	3507 B2	6571 K14
2010 B5	3512 K8	6572 F9
2011 B6	3517 F7	6580 J15
2012 B6	3518 I0	6581 J15
2013 B4	3519 K8	7000 E4
2053 D2	3520 F7	7001 E5
2100 G2	3521 H5	7011 A5
2101 H3	3522 K8	7012 B6
2102 J3	3523 K7	7013 B6
2104 G4	3524 H11	7014 B7
2105 G3	3525 J6	7020 B4
2106 H3	3526 H10	7100 I2
2201 E13	3527 G9	7101 I1
2202 C13	3528 K7	7102 H1
2203 D13	3530 H11	7103 J2
2220 C14	3531 H10	7104 K4
2221 D14	3532 H10	7212 F14
2222 E13	3533 K8	7213 E14
2223 G13	3535 J6	7214 F16
2224 H13	3536 I6	7520 H6
2225 H14	3537 G7	7540 F8
2226 H14	3538 J11	7550 J13
2227 G15	3539 J11	7555 J12
2228 F14	3540 G8	7556 J12
2229 B16	3541 F8	7580 K16
2232 B13	3544 D10	9000 F3
2233 C12	3545 F10	9002 D4
2234 H16	3546 G8	9003 C6
2503 B3	3547 G9	9004 C6
2504 C8	3548 G11	9005 E6
2505 C9	3552 I13	9223 G15
2506 C1	3553 I12	9228 E12
2508 C6	3555 J13	9229 G16
2509 C1	3556 J12	9501 G16
2511 C7	3557 J13	9515 B1
2512 C8	3558 K13	9516 C1
2520 G7	3559 K12	9523 G10
2521 H10	3566 G13	9539 G8
2522 K7	3567 H13	9540 G8
2523 H10	3568 G13	9571 E15
2524 H9	3569 G13	9571 K13
2525 G9	3570 J13	3571 K13
2526 H10	3571 J16	3579 J6
2527 G10	3572 J16	3579 J6
2528 J10	3573 J16	3580 K15
2531 I5	3580 K15	3581 K15
2532 H6	3581 K15	4013 B4
2533 K9	3582 K15	4222 F14
2535 J6	4013 B4	4224 G16
2538 J11	4222 F14	5003 D3
2540 F9	4224 G16	5101 H4
2541 F8	5003 D3	5102 J4
2542 E9	5101 H4	5205 H13
2543 E9	5102 J4	5220 C13
2544 E10	5205 H13	5221 D13
2545 F10	5220 C13	5222 D15
2550 K12	5221 D13	5223 D15
2555 J12	5222 D15	5224 C15
2557 J12	5223 D15	5224 E15
2568 F13	5224 E15	5225 G16
2569 G13	5225 G16	5226 G13
2570 K13	5226 G13	5227 G16
2580 K16	5227 G16	5229 G16
3002 D3	5229 G16	5230 F14
3003 E5	5230 F14	5231 G16
3005 C5	5231 G16	5501 B1
3006 D5	5501 B1	5502 C1
3007 E5	5502 C1	5525 F11
3008 E6	5525 F11	5542 E8
3009 F6	5542 E8	5544 E10
3010 A5	5544 E10	5550 E12
3011 A5	5545 F10	5571 F12
3012 A5	5550 E12	5573 K15
3013 B4	5567 F12	6006 D4
3014 B4	5573 K15	6008 E4
3015 B5	6006 D4	6008 E4
3016 A6	6008 E4	6010 A6
3017 B5	6008 E4	6011 B6
3018 B6	6010 A6	6012 B6
3056 D2	6011 B6	6013 H4
3101 H2	6012 B6	6014 A4
3102 H3	6013 H4	6015 A4
3103 H2	6014 A4	6101 G2
3104 J3	6015 A4	6103 J4
3106 J2	6101 G2	6104 J1
3107 J2	6103 J4	6105 I2
3108 H1	6104 J1	6107 G3
3109 J2	6105 I2	6108 H1
3110 G3	6107 G3	6111 G3
3111 J3	6108 H1	6109 F4
3113 I5	6109 F4	

7 Electrical diagrams and print lay-outs

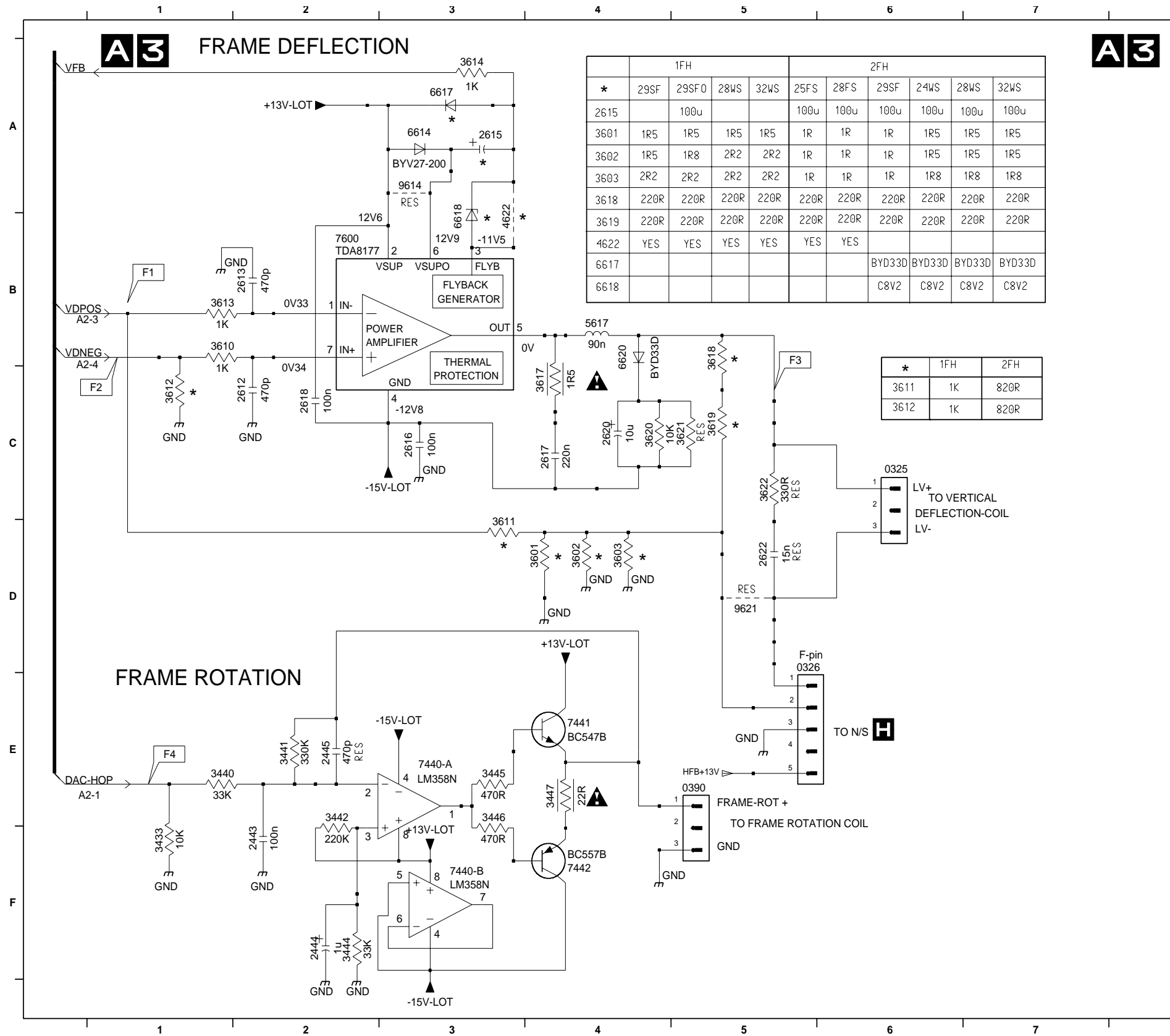
0040 I10	0324 A16	2408 F6	2416 D6	2423 F11	2433 E10	2442 B10	2460 C13	2480 G10	2609 G3	3414 F3	3426 E9	3435 E11	3449 C13	3457 B14	3464 F8	3472 H5	3481 G8	3489 F9	3496 I13	5400 A3	5423 D8	5466 E14	6420 C7	6437 C3	6462 F13	6480 H8	6608 G2	7460 E3	9403 C10	9445 D11
0041 I9	0391 B16	2409 F5	2417 D6	2424 E11	2434 E10	2448 B14	2461 D14	2481 F8	3401 C10	3415 D5	3428 C4	3436 C2	3450 B11	3458 C14	3466 D13	3473 H4	3482 G8	3490 F13	3497 I14	5401 C10	5424 F10	5468 A15	6421 C8	6441 B10	6463 D13	6483 F10	6609 G2	7470 H5	9408 D6	9450 C13
0046 I8	0393 G15	2410 E7	2418 D7	2425 C9	2435 C9	2449 C14	2462 D14	2482 H10	3404 F4	3416 D4	3429 C4	3437 C4	3451 A11	3459 C13	3467 E13	3474 I4	3483 H9	3491 G13	3498 G12	5410 D5	5425 E9	5480 G10	6422 D8	6451 B13	6464 G7	6484 G12	7408 F5	7471 I4	9419 D7	9451 C12
0047 I9	1400 B13	2411 F2	2419 D7	2426 D9	2436 C2	2450 B13	2463 D13	2484 G12	3406 F2	3417 D6	3430 D10	3438 D4	3452 B11	3460 E3	3468 A15	3475 I3	3484 H9	3492 G13	3609 G3	5411 D6	5426 C7	6407 C4	6423 C8	6452 C13	6465 G7	6485 F13	7409 F4	7480 G9	9426 C6	9452 E12
0311 E1	1460 C13	2412 E5	2420 C7	2430 D11	2437 C3	2454 C13	2465 B13	2485 I12	3407 F3	3420 C6	3431 D10	3439 D2	3454 B13	3461 E3	3469 E3	3476 H3	3485 G10	3493 G14	3790 E4	5419 D7	5430 B11	6408 C5	6424 D8	6453 B13	6470 H6	6486 G12	7411 F5	7484-A I13	9427 D8	9466 E13
0315 B1	2400 A4	2413 E4	2421 F11	2431 D11	2438 D3	2455 D1	2466 F14	2486 I13	3411 D5	3423 D8	3432 C3	3443 C11	3455 B11	3462 F13	3470 H6	3478 H7	3486 G9	3494 I12	4410 E7	5421 D11	5460 C12	6409 F2	6425 E11	6454 B13	6471 I4	6487 I11	7421 D7	7484-B G13	9436 C6	9468 B15
0317 C9	2401 C10	2414 E5	2422 F12	2432 E10	2440 A10	2457 C14	2473 G6	2487 G12	3413 C2	3425 E9	3434 E11	3448 B14	3456 D1	3463 E13	3471 H4	3480 G8	3488 G10	3495 I12	4416 D6	5422 F11	5462 E12	6410 F6	6426 E11	6460 C13	6479 G8	6488 I11	7437 C3	9402 E9	9441 D11	9481 F9



7 Electrical diagrams and print lay-outs

*	1FH				2FH					
	29SF	29SFO	28WS	32WS	25FS	28FS	29SF	24WS	28WS	32WS
2401										
2420	2n7	2n7	3n3	2n2	1n2	1n2	1n	1n2	1n	1n
2421					470n	470n	560n			
2422								1u2	1u2	1u2
2423	470n	470n	470n	470n						
2425	15n	12n	15n	15n			11n	11n	11n	11n
2426	27n	27n	18n	22n	27n	27n	24n	27n	27n	27n
2432	560n		560n	680n						
2433					390n	470n	560n	390n	390n	430n
2434		470n								
2435					9n1	10n				
2448	10n	10n	4n7	1n5	3n3	1n5	22n	4n7	22n	22n
2454							100n		100n	100n
2457	47n	47n	47n	47n	33n	33n	100n	33n	100n	100n
3401										
3415	33R	33R	33R	33R	22R	22R	18R	18R	18R	18R
3448	100k	100k	100k	100k	10K	33K	100K	100K	100K	100K
3449	47k	47k	47k	47k	33k	220k	47k	100K	47K	47K
3451	27k	47k	27k	27k	39k	39k	27k	27k	27k	27k
3452	22k	27k	22k	22k	27k	27k	22k	22k	22k	22k
3454	10R	10R	10R	10R	10R	10R	47K	10R	47K	47K
3455	220k	220k	220k	220k	220k	220k	220k	220k	220k	220k
3457	560k	560k	560k	560k	1M	1M	680k	680k	560k	680k
3458	220k	220k	270k	270k	150k	100K	100K	100K	100K	100K
3467	15R	3R3	15R	15R	1R	1R				
3483	4R7	5R6	4R7	4R7	4R7	3R3	4R7	4R7	4R7	4R7
3484	4R7	4R7	4R7	4R7	4R7	4R7	4R7	10R	10R	10R
3485	7M5	5M6	7M5	7M5	5M6	5M6	7M5	5M6	7M5	7M5
5401										
5421	X	X	X	X	X	X	X	X	X	X
5422										
5424	X	X	X	X	X	X				
5430	X	X	X	X	X	X	X	X	X	X
6451	C12	C12	C10	C10	C12	C12	C12	C10	C10	C10
9403	X	X	X	X	X	X	X	X	X	X

*	non CRT-size related	
	1FH	2FH
2410		4n7
2416		100n
2417		100n
2418		220p
2424		
2455	1u5	
2457	47n	33n
2480	4u7	2u2
3417	47R	10R
3420		47R
3423		6R8
3425		10R
3426		10R
3430	3K3	1k
3431	3K3	1k
3434	33K	
3435	33k	
3466	4R7	1R
3468		150R
3489		33R
4410	X	X
4416	X	X
5410	X	X
5423	X	X
5425	X	X
5460	X	X
5462	X	X
5466	X	X
5468	X	X
5480	X	X
6420	X	X
6421	X	X
6422	X	X
6423	X	X
6424	X	X
6425	X	X
6426	X	X
6483		X
7421	2508AF	2520DF
9402	X	X
9408	X	X
9427	X	X
9436	X	X
9451	X	X
9452	X	X
9481	X	X



*	1FH				2FH					
	29SF	29SFO	28WS	32WS	25FS	28FS	29SF	24WS	28WS	32WS
2615		100u			100u	100u	100u	100u	100u	100u
3601	1R5	1R5	1R5	1R5	1R	1R	1R	1R5	1R5	1R5
3602	1R5	1R8	2R2	2R2	1R	1R	1R	1R5	1R5	1R5
3603	2R2	2R2	2R2	2R2	1R	1R	1R	1R8	1R8	1R8
3618	220R	220R	220R	220R	220R	220R	220R	220R	220R	220R
3619	220R	220R	220R	220R	220R	220R	220R	220R	220R	220R
4622	YES	YES	YES	YES	YES	YES				
6617							BYD33D	BYD33D	BYD33D	BYD33D
6618							C8V2	C8V2	C8V2	C8V2

*	1FH	2FH
3611	1K	820R
3612	1K	820R

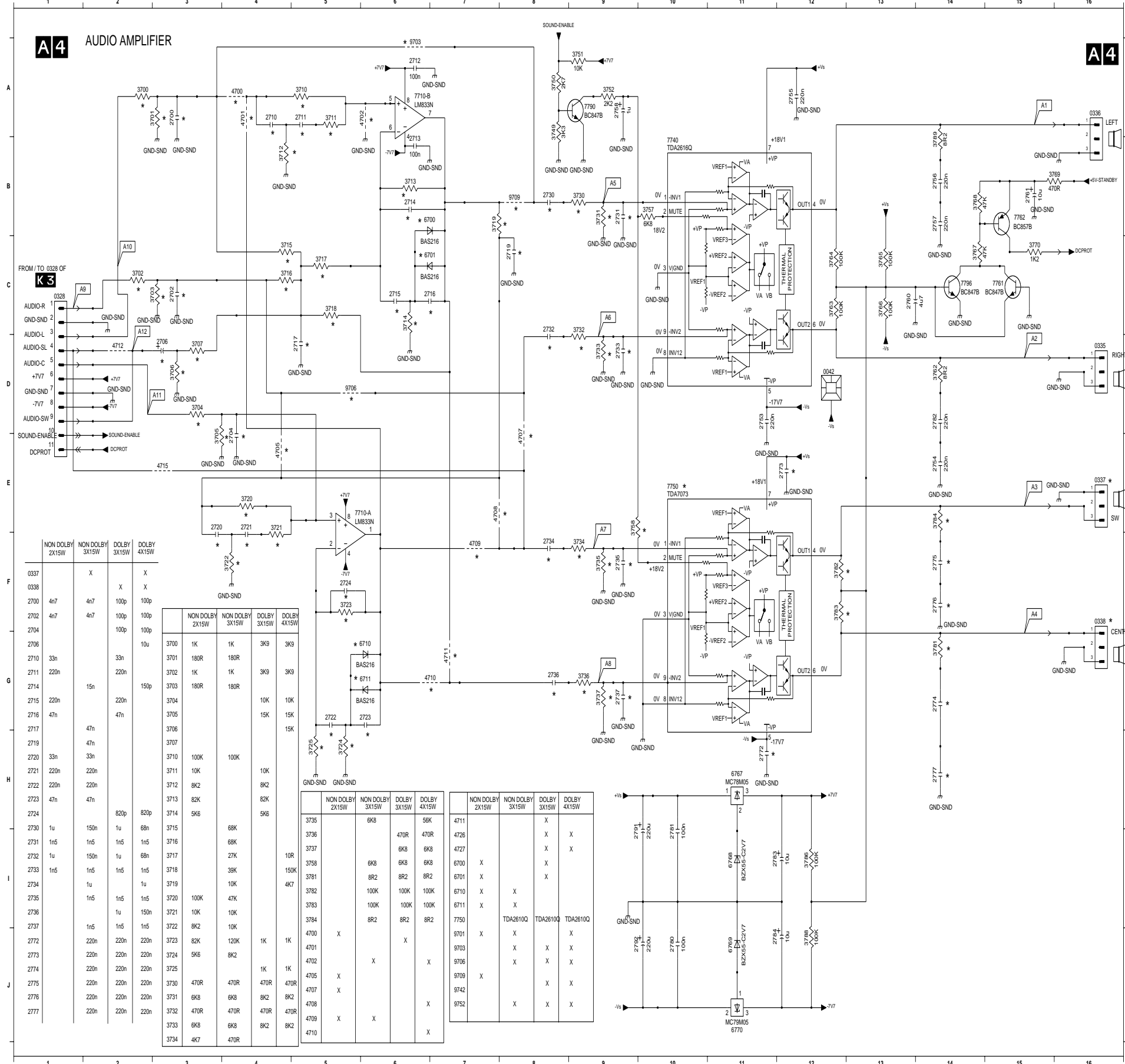
- 0325 C6
- 0326 D5
- 0390 E5
- 2443 F2
- 2444 F2
- 2445 E2
- 2612 C2
- 2613 B2
- 2615 A3
- 2616 C3
- 2617 C4
- 2618 C2
- 2620 C4
- 2622 D5
- 3433 F1
- 3440 E1
- 3441 E2
- 3442 E2
- 3444 F2
- 3445 E3
- 3446 E3
- 3447 E4
- 3601 D4
- 3602 D4
- 3603 D4
- 3610 B1
- 3611 D3
- 3612 C1
- 3613 B1
- 3614 A3
- 3617 C4
- 3618 B5
- 3619 C5
- 3620 C4
- 3621 C5
- 3622 C5
- 4622 B3
- 5617 B4
- 6614 A3
- 6617 A3
- 6618 B3
- 6620 B4
- 7440-A E3
- 7440-B F3
- 7441 E4
- 7442 F4
- 7600 B2
- 9614 A3
- 9621 D5

7 Electrical diagrams and print lay-outs

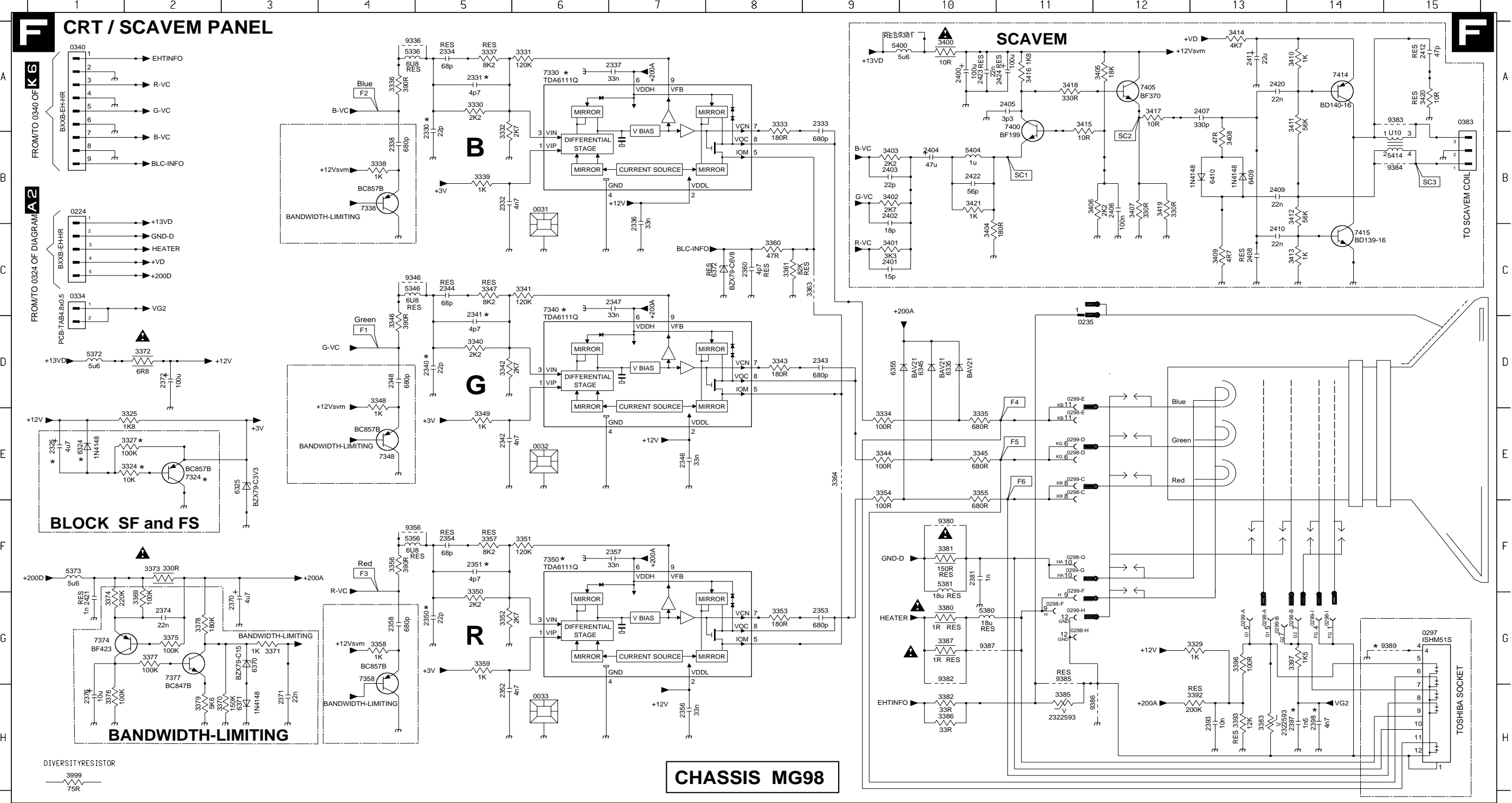
MG2.1E

40

0042 D12 0338 F16 2710 A4 2715 C6 2721 E4 2731 B9 2736 G8 2756 B14 2772 H11 2777 H14 2784 J11 3702 C2 3707 D3 3714 C6 3719 B7 3724 H5 3733 D9 3749 A8 3758 E9 3766 C13 3781 G14 3788 J12 4705 E4 4711 G7 6710 G6 6770 J11 7761 C15 9706 D5
 0328 C1 2700 A3 2711 A5 2716 C6 2722 G5 2732 C8 2737 G9 2757 B14 2773 E12 2780 J10 2791 B9 3703 C3 3710 A5 3715 C4 3720 E4 3725 H5 3734 F9 3750 A8 3762 D14 3767 C14 3782 F12 3789 B14 4707 E8 4712 D2 6711 G6 7710-A E5 7762 B15 9709 B8
 0335 D16 2702 C3 2712 A6 2717 D5 2723 G6 2733 D9 2753 D11 2758 A9 2774 G14 2781 I10 2792 J9 3704 D3 3711 A5 3716 C4 3721 E4 3730 B9 3735 F9 3751 A9 3763 C12 3768 B14 3783 F12 4700 A4 4708 E7 4715 E3 6767 H11 7710-B A6 7790 A9
 0336 A16 2704 E4 2713 B6 2719 C8 2724 F5 2734 F8 2754 E14 2760 C13 2775 F14 2782 D14 3700 A2 3705 E3 3712 B4 3717 C5 3722 F4 3731 B9 3736 G9 3752 A9 3764 C12 3769 B16 3784 E14 4701 A4 4709 F7 6700 B6 6768 H11 7740 B10 7796 C14
 0337 E16 2706 D3 2720 E3 2730 B8 2735 F9 2755 A12 2761 B15 2776 F14 2783 H11 3701 A3 3706 D3 3718 C5 3723 F5 3732 C9 3737 G9 3757 B10 3765 C13 3770 C15 3786 I12 4702 A6 4710 G7 6701 C7 6769 J11 7750 E10 9703 A6



0031	0032	0033	0034	0035	0036	0037	0038	0039	0040	0041	0042	0043	0044	0045	0046	0047	0048	0049	0050	0051	0052	0053	0054	0055	0056	0057	0058	0059	0060	0061	0062	0063	0064	0065	0066	0067	0068	0069	0070	0071	0072	0073	0074	0075	0076	0077	0078	0079	0080	0081	0082	0083	0084	0085	0086	0087	0088	0089	0090	0091	0092	0093	0094	0095	0096	0097	0098	0099	0100	0101	0102	0103	0104	0105	0106	0107	0108	0109	0110	0111	0112	0113	0114	0115	0116	0117	0118	0119	0120	0121	0122	0123	0124	0125	0126	0127	0128	0129	0130	0131	0132	0133	0134	0135	0136	0137	0138	0139	0140	0141	0142	0143	0144	0145	0146	0147	0148	0149	0150	0151	0152	0153	0154	0155	0156	0157	0158	0159	0160	0161	0162	0163	0164	0165	0166	0167	0168	0169	0170	0171	0172	0173	0174	0175	0176	0177	0178	0179	0180	0181	0182	0183	0184	0185	0186	0187	0188	0189	0190	0191	0192	0193	0194	0195	0196	0197	0198	0199	0200	0201	0202	0203	0204	0205	0206	0207	0208	0209	0210	0211	0212	0213	0214	0215	0216	0217	0218	0219	0220	0221	0222	0223	0224	0225	0226	0227	0228	0229	0230	0231	0232	0233	0234	0235	0236	0237	0238	0239	0240	0241	0242	0243	0244	0245	0246	0247	0248	0249	0250	0251	0252	0253	0254	0255	0256	0257	0258	0259	0260	0261	0262	0263	0264	0265	0266	0267	0268	0269	0270	0271	0272	0273	0274	0275	0276	0277	0278	0279	0280	0281	0282	0283	0284	0285	0286	0287	0288	0289	0290	0291	0292	0293	0294	0295	0296	0297	0298	0299	0300	0301	0302	0303	0304	0305	0306	0307	0308	0309	0310	0311	0312	0313	0314	0315	0316	0317	0318	0319	0320	0321	0322	0323	0324	0325	0326	0327	0328	0329	0330	0331	0332	0333	0334	0335	0336	0337	0338	0339	0340	0341	0342	0343	0344	0345	0346	0347	0348	0349	0350	0351	0352	0353	0354	0355	0356	0357	0358	0359	0360	0361	0362	0363	0364	0365	0366	0367	0368	0369	0370	0371	0372	0373	0374	0375	0376	0377	0378	0379	0380	0381	0382	0383	0384	0385	0386	0387	0388	0389	0390	0391	0392	0393	0394	0395	0396	0397	0398	0399	0400	0401	0402	0403	0404	0405	0406	0407	0408	0409	0410	0411	0412	0413	0414	0415	0416	0417	0418	0419	0420	0421	0422	0423	0424	0425	0426	0427	0428	0429	0430	0431	0432	0433	0434	0435	0436	0437	0438	0439	0440	0441	0442	0443	0444	0445	0446	0447	0448	0449	0450	0451	0452	0453	0454	0455	0456	0457	0458	0459	0460	0461	0462	0463	0464	0465	0466	0467	0468	0469	0470	0471	0472	0473	0474	0475	0476	0477	0478	0479	0480	0481	0482	0483	0484	0485	0486	0487	0488	0489	0490	0491	0492	0493	0494	0495	0496	0497	0498	0499	0500	0501	0502	0503	0504	0505	0506	0507	0508	0509	0510	0511	0512	0513	0514	0515	0516	0517	0518	0519	0520	0521	0522	0523	0524	0525	0526	0527	0528	0529	0530	0531	0532	0533	0534	0535	0536	0537	0538	0539	0540	0541	0542	0543	0544	0545	0546	0547	0548	0549	0550	0551	0552	0553	0554	0555	0556	0557	0558	0559	0560	0561	0562	0563	0564	0565	0566	0567	0568	0569	0570	0571	0572	0573	0574	0575	0576	0577	0578	0579	0580	0581	0582	0583	0584	0585	0586	0587	0588	0589	0590	0591	0592	0593	0594	0595	0596	0597	0598	0599	0600	0601	0602	0603	0604	0605	0606	0607	0608	0609	0610	0611	0612	0613	0614	0615	0616	0617	0618	0619	0620	0621	0622	0623	0624	0625	0626	0627	0628	0629	0630	0631	0632	0633	0634	0635	0636	0637	0638	0639	0640	0641	0642	0643	0644	0645	0646	0647	0648	0649	0650	0651	0652	0653	0654	0655	0656	0657	0658	0659	0660	0661	0662	0663	0664	0665	0666	0667	0668	0669	0670	0671	0672	0673	0674	0675	0676	0677	0678	0679	0680	0681	0682	0683	0684	0685	0686	0687	0688	0689	0690	0691	0692	0693	0694	0695	0696	0697	0698	0699	0700	0701	0702	0703	0704	0705	0706	0707	0708	0709	0710	0711	0712	0713	0714	0715	0716	0717	0718	0719	0720	0721	0722	0723	0724	0725	0726	0727	0728	0729	0730	0731	0732	0733	0734	0735	0736	0737	0738	0739	0740	0741	0742	0743	0744	0745	0746	0747	0748	0749	0750	0751	0752	0753	0754	0755	0756	0757	0758	0759	0760	0761	0762	0763	0764	0765	0766	0767	0768	0769	0770	0771	0772	0773	0774	0775	0776	0777	0778	0779	0780	0781	0782	0783	0784	0785	0786	0787	0788	0789	0790	0791	0792	0793	0794	0795	0796	0797	0798	0799	0800	0801	0802	0803	0804	0805	0806	0807	0808	0809	0810	0811	0812	0813	0814	0815	0816	0817	0818	0819	0820	0821	0822	0823	0824	0825	0826	0827	0828	0829	0830	0831	0832	0833	0834	0835	0836	0837	0838	0839	0840	0841	0842	0843	0844	0845	0846	0847	0848	0849	0850	0851	0852	0853	0854	0855	0856	0857	0858	0859	0860	0861	0862	0863	0864	0865	0866	0867	0868	0869	0870	0871	0872	0873	0874	0875	0876	0877	0878	0879	0880	0881	0882	0883	0884	0885	0886	0887	0888	0889	0890	0891	0892	0893	0894	0895	0896	0897	0898	0899	0900	0901	0902	0903	0904	0905	0906	0907	0908	0909	0910	0911	0912	0913	0914	0915	0916	0917	0918	0919	0920	0921	0922	0923	0924	0925	0926	0927	0928	0929	0930	0931	0932	0933	0934	0935	0936	0937	0938	0939	0940	0941	0942	0943	0944	0945	0946	0947	0948	0949	0950	0951	0952	0953	0954	0955	0956	0957	0958	0959	0960	0961	0962	0963	0964	0965	0966	0967	0968	0969	0970	0971	0972	0973	0974	0975	0976	0977	0978	0979	0980	0981	0982	0983	0984	0985	0986	0987	0988	0989	0990	0991	0992	0993	0994	0995	0996	0997	0998	0999	1000
------	------	------	------	------	------	------	------	------	------	------	------	------	------	------	------	------	------	------	------	------	------	------	------	------	------	------	------	------	------	------	------	------	------	------	------	------	------	------	------	------	------	------	------	------	------	------	------	------	------	------	------	------	------	------	------	------	------	------	------	------	------	------	------	------	------	------	------	------	------	------	------	------	------	------	------	------	------	------	------	------	------	------	------	------	------	------	------	------	------	------	------	------	------	------	------	------	------	------	------	------	------	------	------	------	------	------	------	------	------	------	------	------	------	------	------	------	------	------	------	------	------	------	------	------	------	------	------	------	------	------	------	------	------	------	------	------	------	------	------	------	------	------	------	------	------	------	------	------	------	------	------	------	------	------	------	------	------	------	------	------	------	------	------	------	------	------	------	------	------	------	------	------	------	------	------	------	------	------	------	------	------	------	------	------	------	------	------	------	------	------	------	------	------	------	------	------	------	------	------	------	------	------	------	------	------	------	------	------	------	------	------	------	------	------	------	------	------	------	------	------	------	------	------	------	------	------	------	------	------	------	------	------	------	------	------	------	------	------	------	------	------	------	------	------	------	------	------	------	------	------	------	------	------	------	------	------	------	------	------	------	------	------	------	------	------	------	------	------	------	------	------	------	------	------	------	------	------	------	------	------	------	------	------	------	------	------	------	------	------	------	------	------	------	------	------	------	------	------	------	------	------	------	------	------	------	------	------	------	------	------	------	------	------	------	------	------	------	------	------	------	------	------	------	------	------	------	------	------	------	------	------	------	------	------	------	------	------	------	------	------	------	------	------	------	------	------	------	------	------	------	------	------	------	------	------	------	------	------	------	------	------	------	------	------	------	------	------	------	------	------	------	------	------	------	------	------	------	------	------	------	------	------	------	------	------	------	------	------	------	------	------	------	------	------	------	------	------	------	------	------	------	------	------	------	------	------	------	------	------	------	------	------	------	------	------	------	------	------	------	------	------	------	------	------	------	------	------	------	------	------	------	------	------	------	------	------	------	------	------	------	------	------	------	------	------	------	------	------	------	------	------	------	------	------	------	------	------	------	------	------	------	------	------	------	------	------	------	------	------	------	------	------	------	------	------	------	------	------	------	------	------	------	------	------	------	------	------	------	------	------	------	------	------	------	------	------	------	------	------	------	------	------	------	------	------	------	------	------	------	------	------	------	------	------	------	------	------	------	------	------	------	------	------	------	------	------	------	------	------	------	------	------	------	------	------	------	------	------	------	------	------	------	------	------	------	------	------	------	------	------	------	------	------	------	------	------	------	------	------	------	------	------	------	------	------	------	------	------	------	------	------	------	------	------	------	------	------	------	------	------	------	------	------	------	------	------	------	------	------	------	------	------	------	------	------	------	------	------	------	------	------	------	------	------	------	------	------	------	------	------	------	------	------	------	------	------	------	------	------	------	------	------	------	------	------	------	------	------	------	------	------	------	------	------	------	------	------	------	------	------	------	------	------	------	------	------	------	------	------	------	------	------	------	------	------	------	------	------	------	------	------	------	------	------	------	------	------	------	------	------	------	------	------	------	------	------	------	------	------	------	------	------	------	------	------	------	------	------	------	------	------	------	------	------	------	------	------	------	------	------	------	------	------	------	------	------	------	------	------	------	------	------	------	------	------	------	------	------	------	------	------	------	------	------	------	------	------	------	------	------	------	------	------	------	------	------	------	------	------	------	------	------	------	------	------	------	------	------	------	------	------	------	------	------	------	------	------	------	------	------	------	------	------	------	------	------	------	------	------	------	------	------	------	------	------	------	------	------	------	------	------	------	------	------	------	------	------	------	------	------	------	------	------	------	------	------	------	------	------	------	------	------	------	------	------	------	------	------	------	------	------	------	------	------	------	------	------	------	------	------	------	------	------	------	------	------	------	------	------	------	------	------	------	------	------	------	------	------	------	------	------	------	------	------	------	------	------	------	------	------	------	------	------	------	------	------	------	------	------	------	------	------	------	------	------	------	------	------	------	------	------	------	------	------	------	------	------	------	------	------	------	------	------	------	------	------	------	------	------	------	------	------	------	------	------	------	------	------	------	------	------	------	------	------	------	------	------	------	------	------	------	------	------	------	------	------	------	------	------	------	------	------	------	------	------	------	------	------	------	------	------	------	------	------	------	------	------	------	------	------	------	------	------	------	------	------	------	------	------	------	------	------	------	------	------	------	------	------	------	------	------	------	------	------	------	------	------	------	------



FAKE DAF	NON DAF	REAL DAF	DIVERSITY RESISTOR
3104-328-00321	X	X	150R
3104-328-00341	X	X	180R
3104-328-00361	X	X	220R
3104-328-00381	X	X	270R
3104-328-00401	X	X	330R
3104-328-01381	X	X	470R

FAKE DAF	NON DAF	REAL DAF
2397	1n5	1n5
2398	-	4n7

FQS	NON FQS
2325	10u
3324	10K
3327	100K
6324	1N4148
7324	BC857B

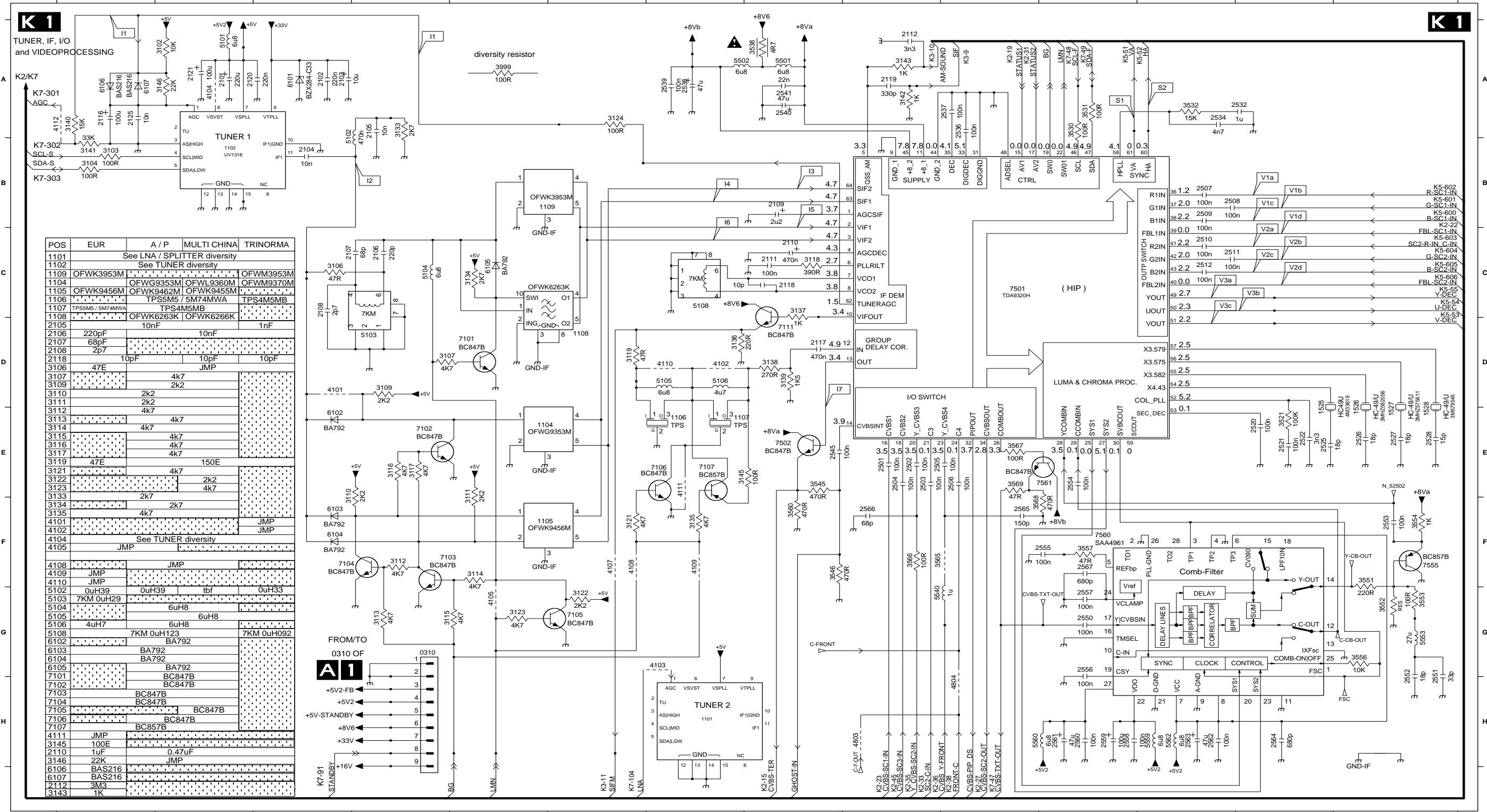
TDA	TDA6111	TDA6101
2330	22p	15p
2331	1p8	1p8
2340	22p	15p
2341	1p8	1p8
2350	22p	15p
2351	2p7	2p7
7330	TDA6111	TDA6101
7340	TDA6111	TDA6101
7350	TDA6111	TDA6101

7 Electrical diagrams and print lay-outs

MG2.1E

46

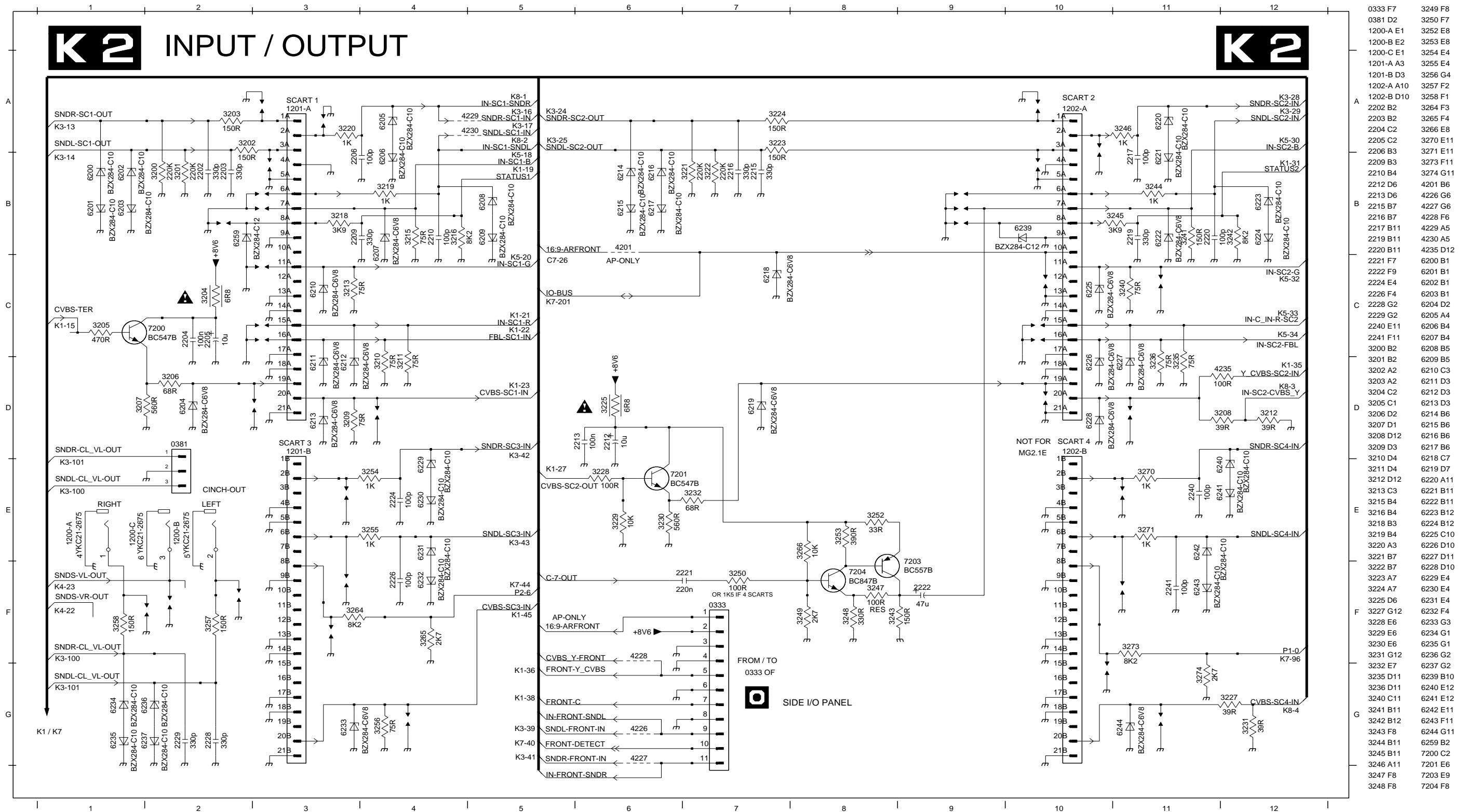
0310 G4	1108 C5	2102 A3	2109 B8	2119 A9	2504 E9	2511 C12	2527 E14	2539 A7	2553 F14	2560 H11	2567 F11	3110 E3	3117 E4	3133 A4	3140 A1	3530 A11	3552 G14	3566 F9	4103 G7	4111 E7	5104 C4	5553 G14	6104 F3	7104 F4	7555 F14
1101 H7	1109 B5	2103 A3	2110 C8	2120 A2	2505 E9	2512 C12	2528 E14	2540 A8	2554 E11	2561 H11	3102 A2	3111 E5	3118 C8	3134 C5	3141 B1	3531 A11	3553 G14	3567 E10	4104 A2	4112 A1	5105 D7	5559 H12	6105 C5	7105 G6	7560 F11
1102 B2	1525 D13	2104 B3	2111 C8	2121 A2	2506 E10	2520 E13	2532 A13	2541 A8	2555 F11	2562 H12	3103 B1	3112 F4	3119 D6	3135 F7	3142 A9	3532 A12	3554 F14	3568 F10	4105 G5	4803 H9	5106 D7	5560 H10	6106 A1	7106 E7	7561 E10
1104 E5	1526 D14	2105 A4	2112 A9	2125 A1	2507 B12	2521 E13	2534 A12	2545 E8	2556 G11	2563 H12	3104 B1	3113 G4	3121 F6	3136 D7	3143 A9	3538 A8	3556 G14	3569 E10	4107 F6	4804 H10	5108 C7	5562 H12	6107 A1	7107 E7	
1105 F5	1527 E14	2106 C4	2116 A1	2501 E9	2508 B12	2522 E13	2536 A10	2550 G11	2557 G11	2564 H13	3106 C3	3114 F5	3122 G6	3137 C8	3145 E7	3545 E8	3557 F11	3569 A5	4108 F6	5101 A2	5501 A8	6101 A3	7101 D5	7111 D8	
1106 E7	1528 E14	2107 C3	2117 D8	2502 E9	2509 B12	2525 E13	2537 A10	2551 G14	2558 H11	2565 F10	3107 D4	3115 G4	3123 G5	3138 D8	3146 A2	3546 F8	3560 F8	4101 D3	4109 F7	5102 A3	5502 A7	6102 E3	7102 E4	7501 C10	
1107 E7	2101 A2	2108 C3	2118 C8	2503 E9	2510 C12	2526 E14	2538 A7	2552 G14	2559 H11	2566 F9	3109 D4	3116 E4	3124 A6	3139 D8	3521 E13	3551 F14	3565 F9	4102 D7	4110 D7	5103 D4	5540 G9	6103 F3	7103 F5	7502 E8	



POS	EUR	A/P	MULTI	CHINA	TRINORMA
1101	See LNA / SPLITTER diversity				
1102	See TUNER diversity				
1109	OFWK3953M			OFWK3953M	
1104	OFWK9456M	OFWG9353M	OFWL9360M	OFWM9370M	
1105	OFWK9456M	OFWK9462M	OFWK9455M		
1106	TPS5M5 / SM74MWA	TPS4MSMB			
1108	OFWK6263K	OFWK6266K			
2105	10nF	10nF	1nF		
2106	220pF	10nF			
2107	68pF				
2108	2pF				
2118	10pF	10pF	10pF		
3106	47E	JMP			
3107		4k7			
3109		2k2			
3110		2k2			
3111		4k7			
3112		4k7			
3113		4k7			
3114		4k7			
3115		4k7			
3116		4k7			
3117		4k7			
3119	47E	150E			
3121		4k7			
3122		2k2			
3123		4k7			
3133		2k7			
3134		2k7			
3135		4k7			
4101		JMP			
4102		JMP			
4104		JMP			
4105		JMP			
4108		JMP			
4110		JMP			
4111		JMP			
5102	0uH39	0uH39	tbF	0uH33	
5103	7KM 0uH29				
5104		6uH8			
5105		6uH8			
5106	4uH7	6uH8			
5108		7KM 0uH123		7KM 0uH092	
6102	BA792	BA792			
6104	BA792	BA792			
7103	BC847B	BC847B			
7104	BC847B	BC847B			
7105	BC847B	BC847B			
7106	BC847B	BC847B			
7107	BC857B				
4111	JMP				
3145	100E				
2110	1uF	0.47uF			
3146	22K	JMP			
6106	BAS216				
6107	BAS216				
2112	3M3				
3143	1K				

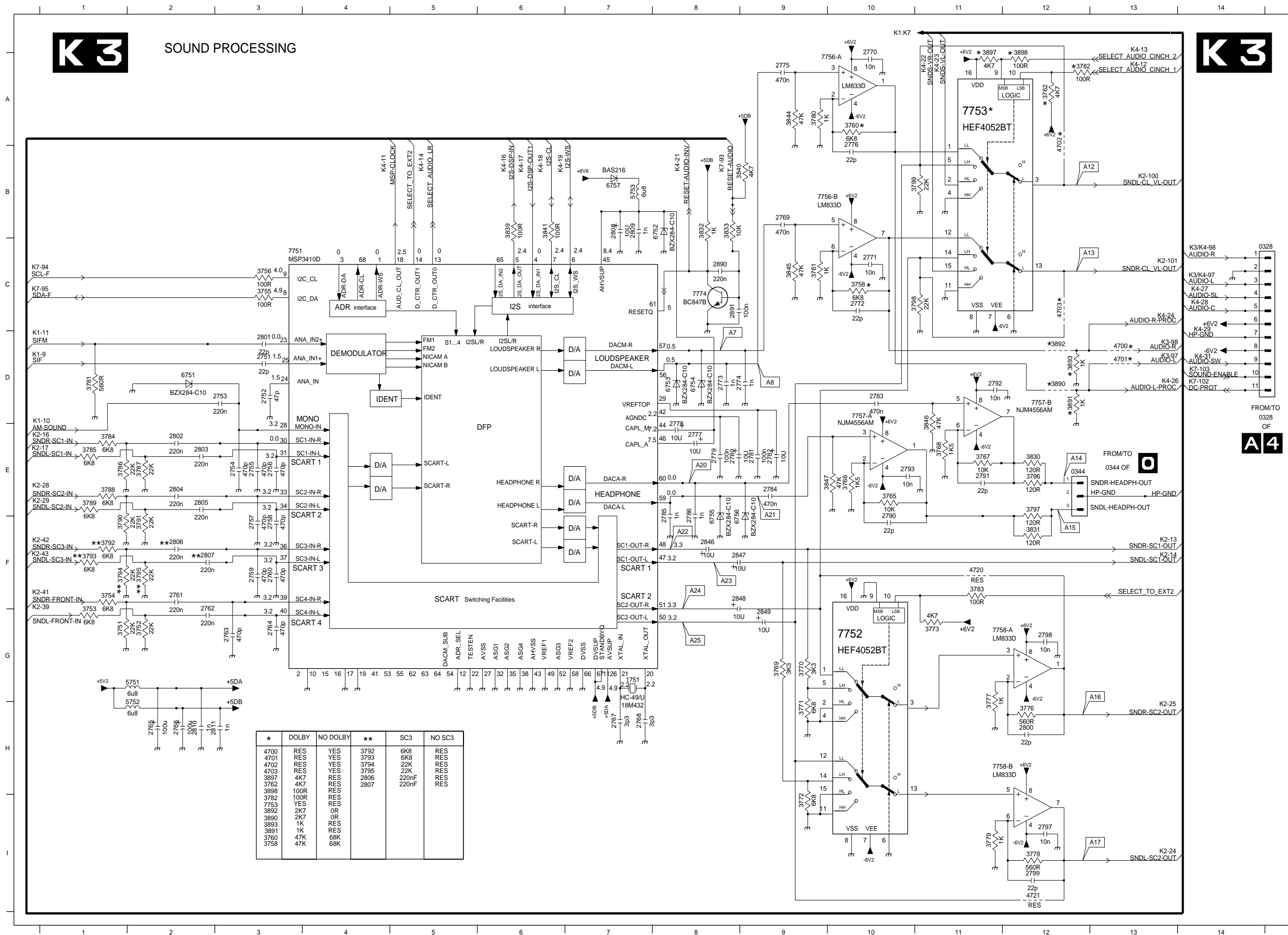
Main HIP	LOW	TOP				
Pinnr	PinName	100Hz ECO Eur	50Hz Eur	1FH AP/US	100Hz Med/Top Eur	100 Hz AP
15	INPUT	STATUS1	STATUS1	Ext1AR	STATUS1	Ext1 AR
17	INPUT	STATUS2	STATUS2	Ext2AR	STATUS2	Ext2 AR
22	OUTPUT	L'	L'	M	L'	M

POS	EUR LOW	EUR TOP	A/P MULTI	A/P NTSC KOREA	A/P NTSC TAIWAN LOW	A/P NTSC TAIWAN TOP	ARGENTINA	USA
1102	UV1316/AI-2	UV1316/AP-2	UV1316/AP-2	UV1336B/AP	UV1336B/APS	UV1336B/APS	UV 1336B/AP	UV1336B/AP
1101		PS1311 / I	PS1315 / I	PS1315 / P		PS1311	PS1315 / I	



PinName	LOW			TOP	
	100Hz ECO Eur	50Hz Eur	1FH AP/US	100Hz TOP/MED Eur	100Hz AP
P1-0			MAINS CLOCK	STATUS4	MAINS CLOCK
P1-4	I/O_CNTRL_BUS IN	I/O_CNTRL_BUS IN	16:9 ARFRONT	I/O_CNTRL_BUS IN	16:9 ARFRONT
P2-6		STATUS3	Ext2 FRONT	STATUS3	
P3-7	I/O_CNTRL_BUS OUT	I/O_CNTRL_BUS OUT	REMOTE LOCATOR	I/O_CNTRL_BUS OUT	

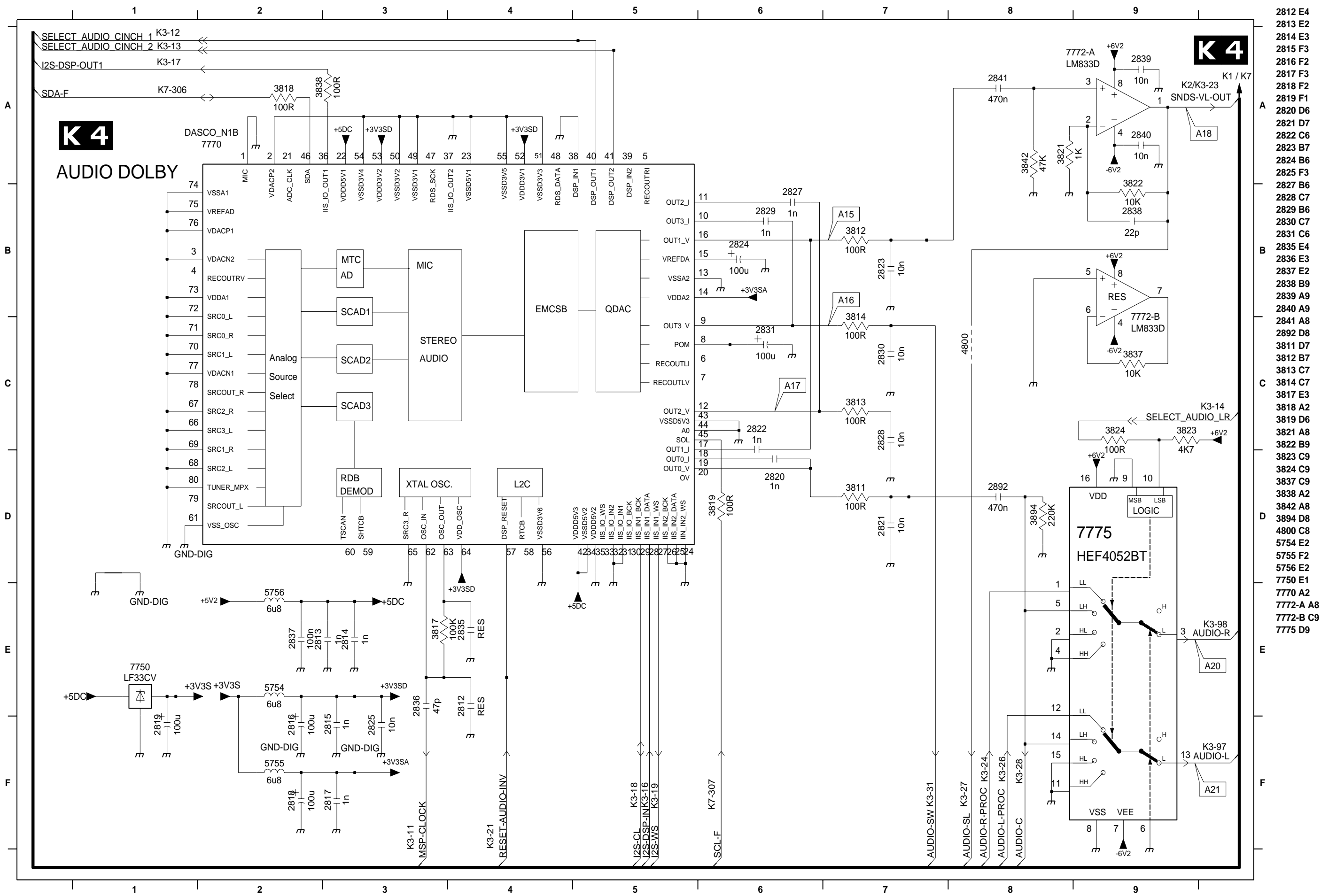
0333 F7	3249 F8
0381 D2	3250 F7
1200-A E1	3252 E8
1200-B E2	3253 E8
1200-C E1	3254 E4
1201-A A3	3255 E4
1201-B D3	3256 G4
1202-A A10	3257 F2
1202-B D10	3258 F1
2202 B2	3264 F3
2203 B2	3265 F4
2204 C2	3266 E8
2205 C2	3270 E11
2206 B3	3271 E11
2209 B3	3273 F11
2210 B4	3274 G11
2212 D6	4201 B6
2213 D6	4226 G6
2215 B7	4227 G6
2216 B7	4228 F6
2217 B11	4229 A5
2219 B11	4230 A5
2220 B11	4235 D12
2221 F7	6200 B1
2222 F9	6201 B1
2224 E4	6202 B1
2226 F4	6203 B1
2228 G2	6204 D2
2229 G2	6205 A4
2240 E11	6206 B4
2241 F11	6207 B4
3200 B2	6208 B5
3201 B2	6209 B5
3202 A2	6210 C3
3203 A2	6211 D3
3204 C2	6212 D3
3205 C1	6213 D3
3206 D2	6214 B6
3207 D1	6215 B6
3208 D12	6216 B6
3209 D3	6217 B6
3210 D4	6218 C7
3211 D4	6219 D7
3212 D12	6220 A11
3213 C3	6221 B11
3215 B4	6222 B11
3216 B4	6223 B12
3218 B3	6224 B12
3219 B4	6225 C10
3220 A3	6226 D10
3221 B7	6227 D11
3222 B7	6228 D10
3223 A7	6229 E4
3224 A7	6230 E4
3225 D6	6231 E4
3227 G12	6232 F4
3228 E6	6233 G3
3229 E6	6234 G1
3230 E6	6235 G1
3231 G12	6236 G2
3232 E7	6237 G2
3235 D11	6239 B10
3236 D11	6240 E12
3240 C11	6241 E12
3241 B11	6242 E11
3242 B12	6243 F11
3243 F8	6244 G11
3244 B11	6259 B2
3245 B11	7200 C2
3246 A11	7201 E6
3247 F8	7203 E9
3248 F8	7204 F8



- 0328 C14
- 0344 E12
- 1751 G7
- 2751 D3
- 2752 D3
- 2753 D3
- 2754 E3
- 2755 E3
- 2756 E3
- 2757 F3
- 2758 F3
- 2759 F3
- 2760 F3
- 2761 F2
- 2762 G2
- 2763 G3
- 2764 G3
- 2765 H2
- 2766 H2
- 2767 H7
- 2768 H7
- 2769 B9
- 2770 A10
- 2771 C10
- 2772 C10
- 2773 D8
- 2774 D9
- 2775 A9
- 2776 B10
- 2777 E8
- 2778 E8
- 2779 E8
- 2780 E8
- 2781 E9
- 2782 E9
- 2783 D10
- 2784 E9
- 2785 E8
- 2786 E8
- 2787 F10
- 2791 E11
- 2792 D11
- 2793 E10
- 2797 I12
- 2798 G12
- 2799 I12
- 2800 H12
- 2801 D3
- 2802 E2
- 2803 E2
- 2804 E2
- 2805 E2
- 2806 F2
- 2807 F2
- 2808 B7
- 2809 B7
- 2810 H2
- 2811 H3
- 2846 F8
- 2847 F8
- 2848 F8
- 2849 G9
- 2890 C8
- 2891 C8
- 3751 G1
- 3752 G2
- 3753 G1
- 3754 F1
- 3755 C3
- 3756 C3
- 3758 C10
- 3760 A10
- 3761 C9
- 3762 A12
- 3765 E10
- 3766 E10
- 3767 E11
- 3768 G9
- 3769 G9
- 3770 G9
- 3771 H9
- 3772 I9
- 3773 G11
- 3776 H12
- 3777 G11
- 3778 I12
- 3779 I11
- 3780 A9
- 3781 D1
- 3782 A12
- 3783 F11
- 3784 E1
- 3785 E1
- 3786 E1
- 3787 E2
- 3788 E1
- 3789 E1
- 3790 F1
- 3791 F1
- 3792 F1
- 3793 F1
- 3794 F1
- 3795 F2
- 3796 E12
- 3797 E12
- 3798 C11
- 3799 B11
- 3830 E12
- 3831 F12
- 3832 B8
- 3833 B8
- 3839 B6
- 3840 B9
- 3841 B6
- 3844 A9
- 3845 C9
- 3846 D11
- 3847 E10
- 3890 D12
- 3891 D12
- 3892 D12
- 3893 D12
- 4700 D13
- 4701 D13
- 4702 A12
- 4703 C12
- 4720 F11
- 4721 I12
- 4722 H2
- 4752 H2
- 4753 B7
- 4754 D2
- 4755 D2
- 4756 D2
- 4757 D2
- 4758 D2
- 4759 D2
- 4760 D2
- 4761 D2
- 4762 G2
- 4763 G3
- 4764 G3
- 4765 D8
- 4766 D8
- 4767 H7
- 4768 H7
- 4769 B7
- 4770 A10
- 4771 C10
- 4772 C10
- 4773 D8
- 4774 D9
- 4775 A9
- 4776 B10
- 4777 E8
- 4778 E8
- 4779 E8
- 4780 E8
- 4781 E9
- 4782 E9
- 4783 D10
- 4784 E9
- 4785 E8
- 4786 E8
- 4787 F10
- 4791 E11
- 4792 D11
- 4793 E10
- 4797 I12
- 4798 G12
- 4799 I12
- 4800 H12
- 4801 D3
- 4802 E2
- 4803 E2
- 4804 E2
- 4805 E2
- 4806 F2
- 4807 F2
- 4808 B7
- 4809 B7
- 4810 H2
- 4811 H3
- 4846 F8
- 4847 F8
- 4848 F8
- 4849 G9
- 4890 C8
- 4891 C8
- 4751 G1
- 4752 G2
- 4753 G1
- 4754 F1
- 4755 C3
- 4756 C3
- 4758 C10
- 4760 A10
- 4761 C9
- 4762 A12
- 4765 E10
- 4766 E10
- 4767 E11
- 4768 G9
- 4769 G9
- 4770 G9
- 4771 H9
- 4772 I9
- 4773 G11
- 4776 H12
- 4777 G11
- 4778 I12
- 4779 I11
- 4780 A9
- 4781 D1
- 4782 A12
- 4783 F11
- 4784 E1
- 4785 E1
- 4786 E1
- 4787 E2
- 4788 E1
- 4789 E1
- 4790 F1
- 4791 F1
- 4792 F1
- 4793 F1
- 4794 F1
- 4795 F2
- 4796 E12
- 4797 E12
- 4798 C11
- 4799 B11
- 4830 E12
- 4831 F12
- 4832 B8
- 4833 B8
- 4839 B6
- 4840 B9
- 4841 B6
- 4844 A9
- 4845 C9

FROM/TO
0328
OF
A4

7 Electrical diagrams and print lay-outs

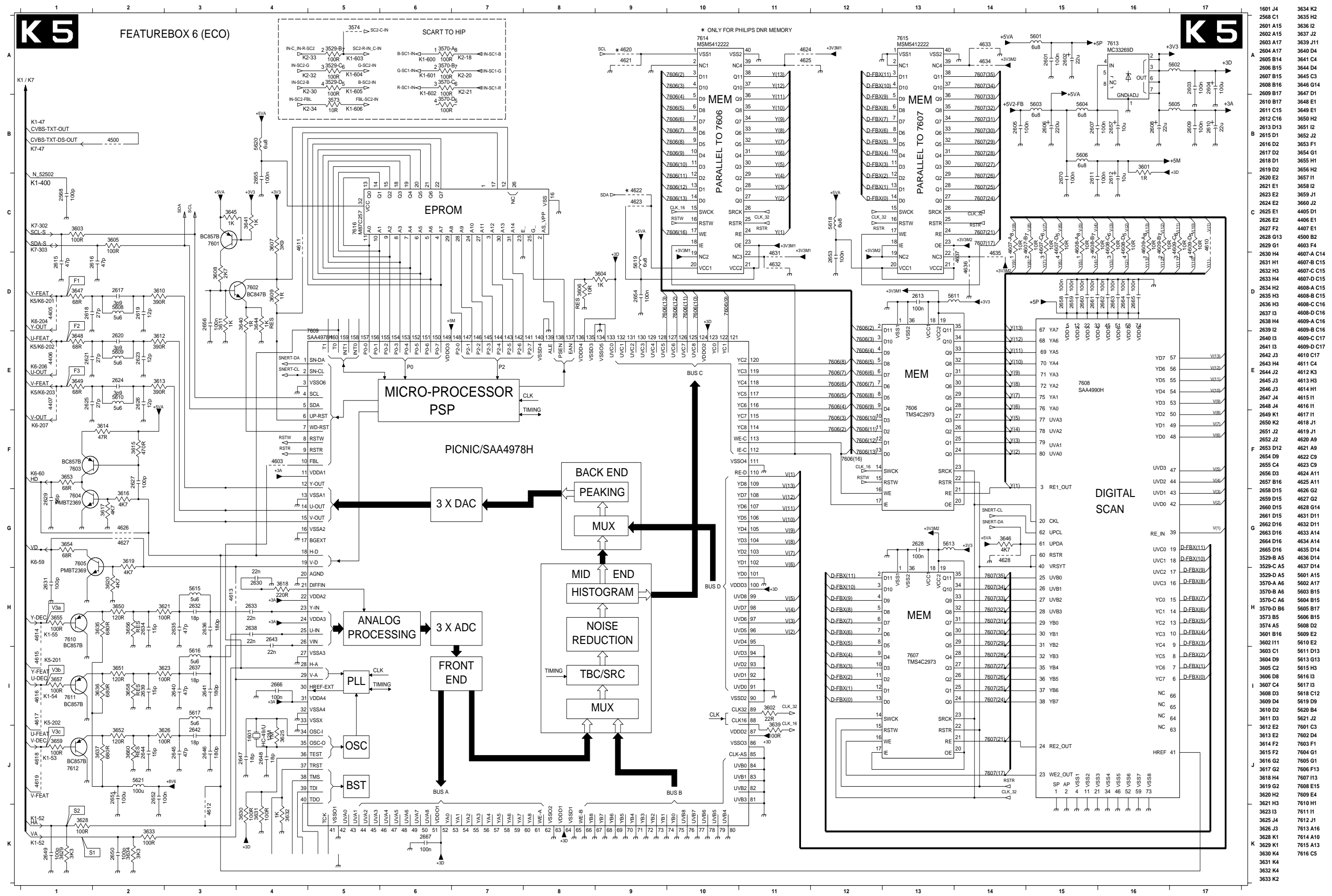


- 2812 E4
- 2813 E2
- 2814 E3
- 2815 F3
- 2816 F2
- 2817 F3
- 2818 F2
- 2819 F1
- 2820 D6
- 2821 D7
- 2822 C6
- 2823 B7
- 2824 B6
- 2825 F3
- 2827 B6
- 2828 C7
- 2829 B6
- 2830 C7
- 2831 C6
- 2835 E4
- 2836 E3
- 2837 E2
- 2838 B9
- 2839 A9
- 2840 A9
- 2841 A8
- 2892 D8
- 3811 D7
- 3812 B7
- 3813 C7
- 3814 C7
- 3817 E3
- 3818 A2
- 3819 D6
- 3821 A8
- 3822 B9
- 3823 C9
- 3824 C9
- 3837 C9
- 3838 A2
- 3842 A8
- 3894 D8
- 4800 C8
- 5754 E2
- 5755 F2
- 5756 E2
- 7750 E1
- 7770 A2
- 7772-A A8
- 7772-B C9
- 7775 D9

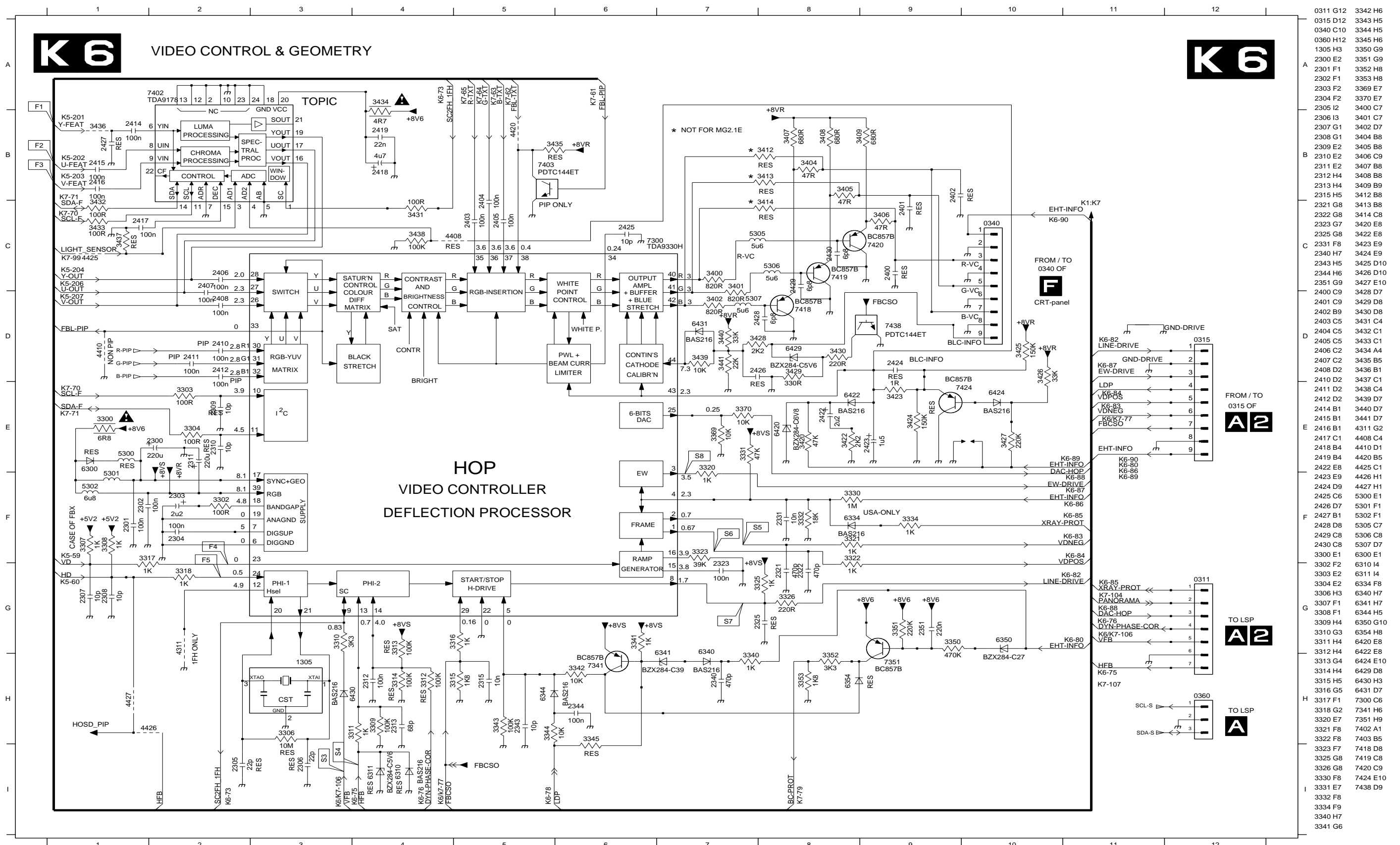
7 Electrical diagrams and print lay-outs

MG2.1E

50



1601 J4	3634 K2
2568 C1	3635 H2
2601 A15	3636 I2
2602 A15	3637 J2
2603 A17	3639 J11
2604 A17	3640 D4
2605 B14	3641 C4
2606 B15	3644 D4
2607 B15	3645 C3
2608 B16	3646 G14
2609 B17	3647 D1
2610 B17	3648 E1
2611 C15	3649 E1
2612 C16	3650 H2
2613 D13	3651 I2
2615 D1	3652 J2
2616 D2	3653 F1
2617 D2	3654 G1
2618 D1	3655 H1
2619 D2	3656 H2
2620 E2	3657 H1
2621 E2	3658 I2
2623 E2	3659 J1
2624 E2	3660 J2
2625 E1	4405 D1
2626 E2	4406 E1
2627 F2	4407 E1
2628 G13	4500 B2
2629 G1	4503 F4
2630 H4	4607-A C14
2631 H1	4607-B C15
2632 H3	4607-C C15
2633 H4	4607-D C15
2634 H2	4608-A C15
2635 H3	4608-B C15
2636 H3	4608-C C16
2637 I3	4608-D C16
2638 H4	4609-A C16
2639 I2	4609-B C16
2640 I3	4609-C C17
2641 I3	4609-D C17
2642 J3	4611 C4
2643 H4	4612 K3
2644 J2	4613 H3
2645 J3	4614 H1
2646 J3	4615 H1
2647 J4	4616 H1
2648 J4	4617 I1
2649 K1	4618 J1
2650 K2	4619 J1
2651 J2	4620 A9
2652 J2	4621 A9
2653 D12	4622 C9
2654 D9	4623 C9
2655 C4	4624 A11
2656 D3	4625 A11
2657 B16	4626 G2
2658 D15	4627 G2
2659 D15	4628 G14
2660 D15	4631 D11
2661 D15	4632 D11
2662 D16	4633 A14
2663 D16	4634 A14
2664 D16	4635 D14
2665 D16	4636 D14
3529-B A5	4637 D14
3529-C A5	5601 A15
3529-D A5	5602 A17
3570-A A6	5603 B15
3570-B A6	5604 B15
3570-C A6	5605 B17
3570-D B6	5606 B15
3573 B5	5608 D2
3574 A5	5609 E2
3601 B16	5610 E2
3602 I11	5611 D13
3603 C1	5613 G13
3604 D9	5615 H3
3605 C2	5616 I3
3606 D8	5617 I3
3607 C4	5618 C12
3608 D3	5619 D9
3609 D4	5620 B4
3610 D2	5621 J2
3611 D3	7601 C3
3612 E2	7602 D4
3613 E2	7603 F1
3614 F2	7604 G1
3615 F2	7605 G1
3616 G2	7606 F13
3617 H4	7607 H3
3618 H2	7608 E15
3619 G2	7609 E4
3620 H2	7610 H1
3621 H3	7611 H1
3622 J3	7612 J1
3623 J4	7613 A16
3626 K1	7614 A10
3628 K1	7615 A13
3629 K4	7616 C5
3630 K4	
3631 K4	
3632 K4	
3633 K2	



K 6

VIDEO CONTROL & GEOMETRY

HOP
VIDEO CONTROLLER
DEFLECTION PROCESSOR

- 0311 G12
- 0315 D12
- 0340 C10
- 0360 H12
- 1305 H3
- 2300 E2
- 2301 F1
- 2302 F1
- 2303 F2
- 2304 F2
- 2305 I2
- 2306 I3
- 2307 G1
- 2308 G1
- 2309 E2
- 2310 E2
- 2311 E2
- 2312 H4
- 2313 H4
- 2315 H5
- 2321 G8
- 2322 G8
- 2323 G7
- 2325 G8
- 2331 F8
- 2340 H7
- 2343 H5
- 2344 H6
- 2351 G9
- 2400 C9
- 2401 C9
- 2402 B9
- 2403 C5
- 2404 C5
- 2405 C5
- 2406 C2
- 2407 C2
- 2408 D2
- 2410 D2
- 2411 D2
- 2412 D2
- 2414 B1
- 2415 B1
- 2416 B1
- 2417 C1
- 2418 B4
- 2419 B4
- 2422 E8
- 2423 E9
- 2424 D9
- 2425 C6
- 2426 D7
- 2427 B1
- 2428 D8
- 2429 C8
- 2430 C8
- 3300 E1
- 3302 F2
- 3303 E2
- 3304 E2
- 3306 H3
- 3307 F1
- 3308 F1
- 3309 H4
- 3310 G3
- 3311 H4
- 3312 H4
- 3313 G4
- 3314 H4
- 3315 H5
- 3316 G5
- 3317 F1
- 3318 G2
- 3320 E7
- 3321 F8
- 3322 F8
- 3323 F7
- 3325 G8
- 3326 G8
- 3330 F8
- 3331 E7
- 3332 F8
- 3334 F9
- 3340 H7
- 3341 G6
- 3342 H6
- 3343 H5
- 3344 H5
- 3345 H6
- 3350 G9
- 3351 G9
- 3352 H8
- 3353 H8
- 3354 C7
- 3355 H8
- 3356 E7
- 3357 H8
- 3358 E7
- 3359 E7
- 3360 C7
- 3361 B8
- 3362 C7
- 3363 B8
- 3364 C7
- 3365 B8
- 3366 C7
- 3367 B8
- 3368 C7
- 3369 E7
- 3370 E7
- 3371 E7
- 3372 H8
- 3373 H8
- 3374 H8
- 3375 H8
- 3376 H8
- 3377 H8
- 3378 H8
- 3379 H8
- 3380 H8
- 3381 H8
- 3382 H8
- 3383 H8
- 3384 H8
- 3385 H8
- 3386 H8
- 3387 H8
- 3388 H8
- 3389 H8
- 3390 H8
- 3391 H8
- 3392 H8
- 3393 H8
- 3394 H8
- 3395 H8
- 3396 H8
- 3397 H8
- 3398 H8
- 3399 H8
- 3400 C7
- 3401 C7
- 3402 B8
- 3403 B8
- 3404 B8
- 3405 B8
- 3406 C9
- 3407 B8
- 3408 B8
- 3409 B9
- 3410 B8
- 3411 B8
- 3412 B8
- 3413 B8
- 3414 C8
- 3415 C8
- 3416 E8
- 3417 E8
- 3418 B8
- 3419 B8
- 3420 E8
- 3421 E8
- 3422 E8
- 3423 E9
- 3424 E9
- 3425 D10
- 3426 D10
- 3427 E10
- 3428 D7
- 3429 D8
- 3430 D8
- 3431 C4
- 3432 C1
- 3433 C1
- 3434 A4
- 3435 B5
- 3436 B1
- 3437 C1
- 3438 C4
- 3439 D7
- 3440 D7
- 3441 D7
- 3442 G2
- 3443 C2
- 3444 C2
- 3445 C2
- 3446 B1
- 3447 D7
- 3448 C4
- 3449 C4
- 3450 E1
- 3451 F1
- 3452 F1
- 3453 C7
- 3454 C8
- 3455 C7
- 3456 C7
- 3457 D7
- 3458 F1
- 3459 C7
- 3460 C7
- 3461 H7
- 3462 H7
- 3463 H5
- 3464 H5
- 3465 G10
- 3466 H8
- 3467 E8
- 3468 E8
- 3469 D8
- 3470 C9
- 3471 E9
- 3472 E9
- 3473 E9
- 3474 E9
- 3475 D9

PinName	100Hz ECO Eur	50Hz Eur	1FH AP/US	100Hz TOP/MED Eur	100Hz AP
P2-7			RESET GEMSTAR	RGB1FH/Front UI	H SEL

FROM / TO
0315 OF
A 2

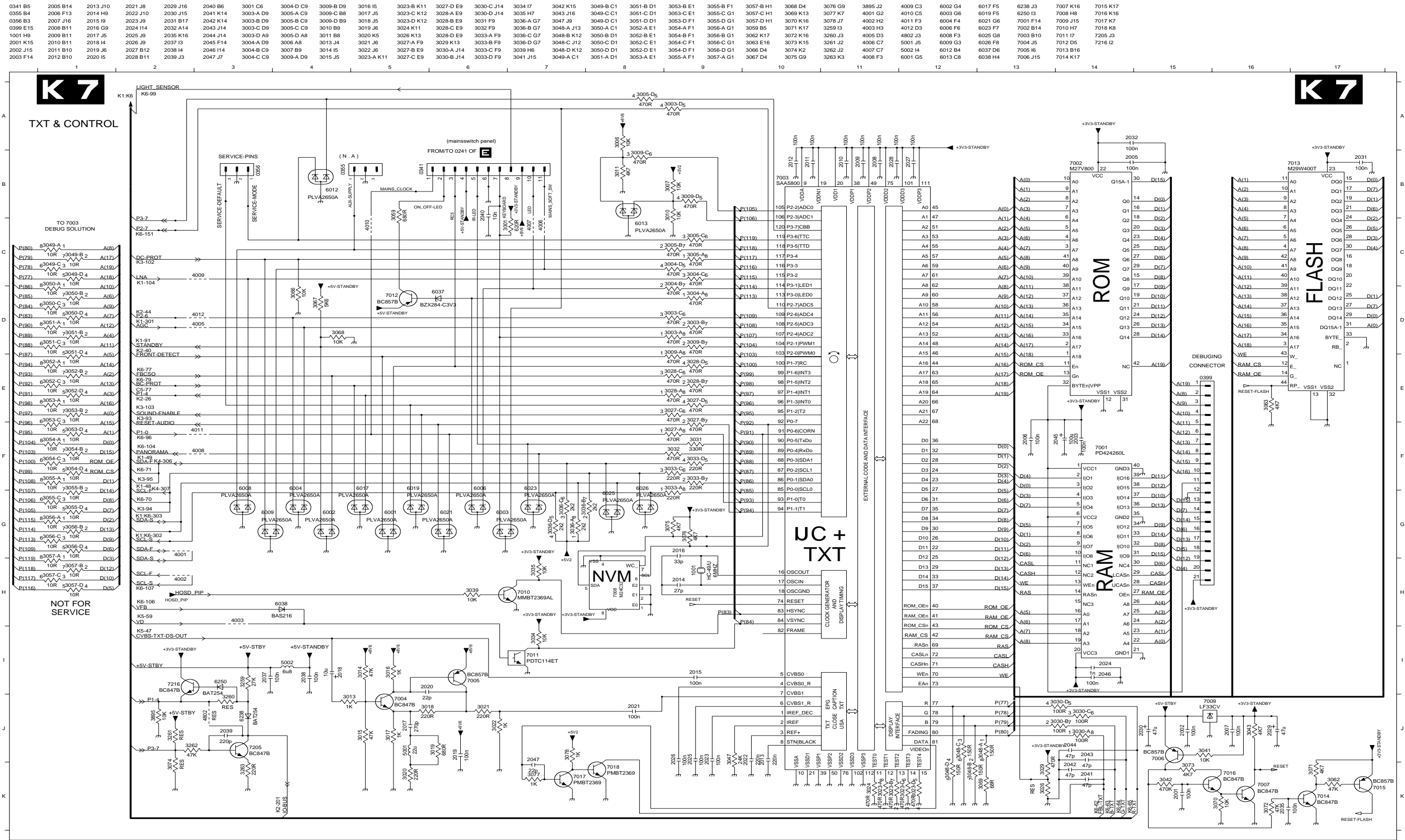
TO LSP
A 2

TO LSP
A

7 Electrical diagrams and print lay-outs

MG2.1E

52



PinName	LOW	TOP
P1-0	100Hz ECO Eur	100Hz TOP/MED Eur
P1-4	I/O_CNTRL_BUS IN	I/O_CNTRL_BUS IN
P2-6	STATUS3	STATUS3
P2-7	STATUS3	STATUS3
P3-7	I/O_CNTRL_BUS OUT	I/O_CNTRL_BUS OUT

0341 B5	2005 B14	2013 J10	2021 J8	2029 J16	2040 B6	3001 C6	3004-D C9	3009-B D9	3016 I5	3023-B K11	3027-D E9	3030-C J14	3034 I7	3042 K15	3049-B C1	3051-B D1	3053-B E1	3055-B F1	3057-B H1	3068 D4	3076 G9	3895 J2	4009 C3	6002 G4	6017 F5	6238 J3	7007 K16	7015 K17
0356 B4	2006 F13	2014 H9	2022 J10	2030 J15	2041 K14	3003-A D9	3005-A C9	3009-C B8	3017 J5	3023-C K12	3028-B E9	3030-D J14	3035 H7	3043 J16	3049-C C1	3051-C D1	3053-C E1	3055-C G1	3057-C H1	3069 K13	3077 K7	4001 G2	4010 C5	6003 G6	6019 F5	6250 J3	7008 H8	7016 K16
0366 B3	2007 J16	2015 I9	2023 J10	2031 B17	2042 K14	3003-B D9	3005-B C9	3009-D B8	3018 J5	3023-D K12	3028-C E9	3031 F9	3036-A G7	3047 J9	3049-D C1	3051-D D1	3053-D F1	3055-D G1	3057-D H1	3070 K16	3078 K7	4002 H2	4011 F3	6004 G6	6021 G6	7001 F14	7009 J15	7017 K7
0399 E15	2008 B11	2016 G9	2024 I14	2032 A14	2043 J14	3003-C D9	3005-C C9	3010 B9	3019 J6	3024 K11	3028-D E9	3032 F9	3036-B G7	3048-A J13	3050-A C1	3052-A E1	3054-A F1	3056-A G1	3059 B5	3071 K17	3259 J3	4003 H3	4012 D3	6006 F6	6023 F7	7002 B14	7010 H7	7018 K8
1001 H9	2009 B11	2017 J5	2025 J9	2035 K16	2044 J14	3003-D A9	3005-D A8	3011 B8	3020 K5	3026 K13	3028-E E9	3033-A F9	3036-C G7	3048-B K12	3050-B D1	3052-B E1	3054-B F1	3056-B G1	3062 K17	3072 K16	3260 J3	4005 D3	4802 J3	6008 F3	6025 G8	7003 B10	7011 I7	7205 J3
2001 K15	2010 B11	2018 I4	2026 J9	2037 I3	2045 F14	3004-A D9	3006-A B	3013 J4	3021 J6	3027-A F9	3029 K13	3033-B F9	3036-D G7	3048-C J12	3050-C D1	3052-C E1	3054-C F1	3056-C G1	3063 E16	3073 K15	3261 J2	4006 C7	5001 J5	6009 G3	6026 F8	7004 J5	7012 D5	7216 I2
2002 J15	2011 B10	2019 J6	2027 B12	2038 I4	2046 I14	3004-B C9	3007 B9	3014 I5	3022 J6	3027-B E9	3030-A J14	3033-C F9	3039 H6	3048-D K12	3050-D D1	3052-D E1	3054-D F1	3056-D G1	3064 D4	3075 G9	3262 J2	4007 C7	5002 I4	6012 B4	6037 D6	7005 I6	7013 B16	7014 K17
2003 F14	2012 B10	2020 I5	2028 B11	2039 J3	2047 J7	3004-C C9	3009-A D9	3015 J5	3023-A K11	3027-C E9	3030-B J14	3033-D F9	3041 J15	3049-A C1	3051-A D1	3053-A E1	3055-A F1	3057-A G1	3067 D4	3076 G9	3263 K3	4008 F3	6001 G5	6013 C8	6038 H4	7006 J15	7014 K17	